



YMGI, Engineered Comfort Products for A Sustainable and Efficient Green World !

INSTALLATION INSTRUCTION

Wall Mount Mini Split Systems-M2

09 to 60K Btu/h

Single, Dual, Triple, Quad-Zone

Cooling and Heat Pump W or W/O Heater

(This Installation Instruction is Good for Mini Split Wall Mount Product Line of Different Brands Made by YMGI Group-YMGI, YMGI Products, and Others Claimed by YMGI Group, POB 1559, O'Fallon, MO, USA-Check with info@ymgigroup.com or sales@ymgigroup.com)



YMGI Group, POB 1559

YMGI Group New Energy, POB 1668

O'Fallon, MO 63366, USA

Tel: (866)833-3138 Fax: (866)377-3355

Web Site: www.ymgigroup.com

Email: info@ymgigroup.com

Literature Part No: Lit-WMMS-0103-20130201
 For WMMS Series of Product 09 to 60K Btu/h Single/Dual/Tri/Quad Zone (Cooling, Heat Pump W or W/O Ele. Heater)
 Subject to Continuous Engineering Improvement without Prior Notice.

⚠ WARNING

This product is designed and manufactured free from defects in material and workmanship under the normal use and maintenance. Installation, operation, maintenance and service shall follow professional practices for regular cooling and heating equipment, NEC, State, City or Local Codes and related manuals from us. Otherwise, damage to equipment or property even injury to people may occur.

Installer: Currently licensed HVAC installer only, Read this manual before installation. Sign on the warranty registration card.

User: Keep this manual for future maintenance and service use.

Service: Use this manual for service reference.

YMGI is the Trademark and Property of YMGI Group. Copyright of YMGI Group.



Literature Part No: LIT-WMMS-II-0103-20130201

CONTENTS

LIMITED PRODUCT WARRANTY POLICIES	2
LIMITED PRODUCT WARRANTY REGISTRATION CARD	3
CUSTOMER AND TECHNICIAN MUST READ	4
IMPORTANT NOTES	11
IMPORTANT NOTES FOR UNIT OPERATION ABMIENT & SIZING	12
BRIEF INTRODUCTION TO MINI SPLIT WALL MOUNT SYSTEM	13
BEFORE INSTALLATION IDENTIFY COMPONENTS	14
MINI WALL MOUNT SYSTEMS-MODELS	15
ENGINEERING SUBMITTAL-UNIT SIZES & WEIGHT	16
UNIT ENGINEERING SUBMITTALS-MECHANIAL	17
IMPORTANT NOTES FOR UNIT OPERATION ABMIENT & SIZING	19
MANUFACTURE'S IMPORTANT NOTES FOR INSTALLING CONTRACTOR/TECHNICIAN	19
RECOMMENDED TOOLS FOR INSTALLATION	20
CONNECTION OF WIRES-SINGLE ZONE	21
CONNECTION OF PIPES AND WIRES	23
GET READY FOR INSTALLATION	23
INSTALLATION LOCATIONS & CAUTIONS	24
INSTALLATION POSITIONS FOR OUTDOOR UNIT	24
SYSTEM LAYOUT & INSTALLATION CLEARANCE	25
HEIGHT LIMITS OF INDOOR AND OUTDOOR UNITS	29
INSTALLATION-INDOOR UNIT	29
INSTALLATION-OUTDOOR UNIT	32
WIRING OUTDOOR UNIT	33
CONNECT REFRIGERANT PIPES BETWEEN INDOOR AND OUTDOOR UNITS	34
PIPING GUIDE	35
INSTALLATION OF ACCESSORIES	36
VACUUM AND LEAKAGE CHECK	37
SYSTEM INSPECTION AND TRIAL RUNNING	37
LED DISPLAY PANEL	38
CHECK AFTER INSTALLATION AND TEST OPERATION	39
DIAGNOSIS CODE & TROUBLE-SHOOTING GUIDELINE	40
IMPORTANT NOTES FOR INSTALLATION OF MULTIPLE ZONE SYSTEMS (MULTIPLE COMPRESSORS)	41
WARRANTY AND TECH. SUPPORT	43
USER NOTES AND SERVICE LOG	44

⚠ CAUTION All Units Shall Be Installed by Experienced or Licensed Contractor Or Technician. Read Manuals before Installation.

⚠ CAUTION Following NEC, State and Local Codes and Installation Instructions of All Units, Otherwise Unit Warranty Will Be Void and Serious Damage To People Or Property May Be Caused.

⚠ WARNING YMGI Group Will NOT Take Any Responsibilities for Any Damage or Loss Due to Do-It-Yourself(DIY) self-installation and other Improper Installation or Operation or Natural Disaster.

⚠ WARNING Don't Supply Power until All Wiring and Tubing and Checking is Completed. Ground the Unit Following Instructions and NEC, State and Local Codes.

⚠ DANGER Connect All Wiring Securely. Loose Wire or Other Bad Contact May Cause Arc or Overheating and Fire Hazard.

**Installation or Service Technician to Contact Manufacturer Technical Support
Toll Free Number: 1-866-833-3138 x 703
Email: techsp@ymgigroup.com**

(For any abnormal or unit issues, end user needs to contact installation or service contractor to check the unit, before having them contact manufacturer technical support for technical diagnosis or trouble shooting help.)

LIMITED PRODUCT WARRANTY POLICIES

The YMGI products are designed and manufactured free from defects in workmanship, and materials for normal use. However, for any reason, including many handlings and occasions between the YMGI factories/warehouses and where you receive the products, the unit doesn't work, YMGI Group will help to remedy the occurrence in the following warranting ways:

Compressor: YMGI will warrant the compressor of YMGI-validated and approved warranty filing, for a period of 5 years from the date of successful installation at original location.

Parts: YMGI will warrant parts of YMGI-validated and approved warranty filing, for one year from the date of successful installation at original location.

All warranty compressors and parts replaced will become the sole property of YMGI Group and must be returned to YMGI Group upon request. Warranty parts may be new or refurbished. All parts are tested and approved before shipping.

At no time does the YMGI Group warrant labor cost of any type. Warranty will start from the date of successful installation at initial location, or 90 days as of original shipping date from YMGI Group, whichever comes first.

This is a standard warranty of limited liability and DOES NOT cover the following:

- * Any damage or repairs to properties, or persons as an incident or consequence of improper or faulty transportation, installation, operation, maintenance or service.
- * Damage caused by frozen or broken water hoses or refrigeration pipes in the event of equipment failure.
- * Any damage as a result of floods, fire, wind, lightening, accidents, corrosive atmosphere or any other conditions beyond the control of YMGI Group.
- * Any damage due to interruption or inadequate electrical service to equipment.
- * Any products that are installed outside the US or Canada.
- * Any unit that has been moved from the original installation address.
- * Any labor costs associated with the installation or service of the unit.
- * Poor unit performance due to improper unit selection (SEER, Unit size).

To validate the above warranties, ALL the following conditions must all be fulfilled:

1. The unit was fully (100%) and successfully installed by licensed or certified HVAC technicians.
2. The unit was installed following all NEC, state and local codes.
3. The unit was installed following all instructions and manuals made by YMGI Group.
4. ALL fields, especially the technician-checklist, of the **Limited Warranty Registration Card/Form** were filled completely by the installing technician and signed by both the installing company technician and the unit owner.
5. The **Limited Warranty Registration Card/Form** and a copy of the original installing company's invoice had been received by YMGI Group-Warranty Dept., POB 1559, O'Fallon, MO 63366, within 7 days of successful installation.

No warranty filing will be validated or approved, if any one of the above 5 conditions is not met. Product registration doesn't guarantee the validity of this limited warranty statement.

Steps to follow for warranty part replacement:

1. Installing or service technician contacts YMGI tech support at 1-866-833-3138 ext 703 from the jobsite, to double-check and confirm with YMGI Technical support the exact part(s) needed to fix all the problems.
2. YMGI will check the customer's warranty filing. Parts for validated and approved warranty will not be charged. Parts of invalid warranty filing or unapproved warranty requesting, will be charged accordingly.
3. YMGI will ground ship out the parts ASAP. Expedited shipping is available at the customer's cost.
4. Replacement parts of approved warranty registration are to be warranted for the remainder of the 1 year parts and 5 year compressor warranty. Purchasing of replacement parts of invalid warranty filing or unapproved warranty requesting, will be as they are and bear no warranty.

YMGI keeps on improving products with various engineering changes without prior notice. Such improvements or changes include but not limited to product specification, appearance, functions, sizes, packaging and others. These improvements or changes will not void the limited warranty stated herein. YMGI keeps the final explanation of this warranty policy.



LIMITED PRODUCT WARRANTY REGISTRATION CARD



LIMITED PRODUCT WARRANTY REGISTRATION CARD / FORM

YMGI to Fill Top Portion, at Shipping, and Keep Copy A; Center Copy B for Installer to Fill and Mail back to YMGI; Bottom Copy C for Customer to Fill and Keep

For YMGI Use Only	The Company the Unit Was Sold Through: _____	Shipping Packing List Number: _____	Registration Card Serial No. _____	
	Did the Company Pay to YMGI: _____	HVAC Contractor/Technician--Name _____	Date the Filled Registration Card YMGI Received: _____	
	Installation Invoice Attached to the Registration Card _____	Hired YMGI-Recommended HVAC Contractor/Technician? _____	Unit(s) Work Successfully (Yes/No): _____	Warranty Approved _____ Warranty Denied _____
Outdoor Serial Number (One Outdoor Unit, One Registration Card/Form): _____		Indoor Serial Number: _____ For Multi Zone Units	Unit #1 _____ Unit #2 _____ Unit #3 _____ Unit #4 _____	Unit #5 _____ Unit #6 _____ Unit #7 _____ Unit #8 _____
Contact Where the Units are Installed:				
Name: _____		Phone: _____		Fax: _____
Address: _____		Email: _____		
City: _____		Country: _____		
Contact of the Installing HVAC Contractor/Technician:				
Technician Full Name (Print): _____		YMGI-Recommended Contractor/Technician:		
HVAC Technician's Company Name: _____		Phone/Fax: _____		
Address: _____		Email: _____		
Currently Licensed or Certified HVAC Technician License or Certification Number: _____		City/State (Province): _____		
Official Phone # to Check the License Validity: _____		License Approved or Certified by: _____		
List for Installing HVAC Technician to Double Check Installation Quality, and Warranty Processing Purpose (if not filled by technician, or not filled fully, warranty will void)				
1) Are you the only one to install whole system? If not, _____ % of installation done by you (HVAC technician).		2) What had been done, prior to your arrival?		
3) Did you read the User Manual and Installation Instruction, before you started the installation?		4) Who unpacked the unit and accessory boxes to check for damage?		
5) Supply electrical power V/Ph/Hz measured at wiring terminal block of indoor unit: _____ outdoor unit: _____		6) Incoming electrical power V/Ph/Hz measured at terminal blocks of indoor unit: _____ outdoor unit: _____		
7) Wire gauge, length and terminal colors between circuit breaker/disconnect switch to outdoor unit: _____		8) Wire gauge, length and terminal colors between each indoor and outdoor unit: Unit A _____ Unit B _____ Unit C _____ Unit D...		
9) The size of HVAC circuit breaker/fuse or disconnect switch to the outdoor unit: _____		10) Are the inter-connecting wires and copper lines between indoor and outdoor units installed/covered/protected by line set covers, or anything else?		
11) What is the refrigerant pipe length between each indoor unit and the outdoor unit? Unit A _____ Unit B _____ Unit C _____ Unit D...		12) Where is/are the indoor unit(s) located? Unit A _____ Unit B _____ Unit C _____ Unit D...		
13) What is the elevation difference between each indoor unit and the outdoor unit? Unit A _____ Unit B _____ Unit C _____ Unit D... (indoor unit above outdoor unit +, below -)		14) Did you check the indoor unit for condensate leakage and refrigerant leakage, before and after connecting them?		
15) Where is the outdoor unit located? Ground wall balcony roof other location or pad _____ Is the outdoor unit anchored to ground or secured onto wall bracket? _____		16) Have you checked to make sure there is no cross-piping and no cross-wiring between any two indoor units (zones)? How did you do it, who was with you?		
17) Were the refrigerant pipe ends capped or taped seal, prior to running them through structures to keep debris from entering the copper lines?		18) Have you checked and run cooling or heating, one unit by one unit, all working fine?		
19) Did you charge the inter-connection copper pipes and indoor unit with nitrogen to check for positive leakage (pressures 150-200PSI), before conducting vacuuming leakage check?		20) Did you vacuum correctly to check the connecting pipes and indoor unit for leakage, what was the micron gauge reading, for how many minutes?		
21) Did you check if the compressor can be started and stopped in a correct (design) manner?		22) If copper length were not made to the supplied or recommended refrigerant pipe length, how much refrigerant added or deducted?		
23) Measured refrigerant pressures at outdoor service suction valve, when unit was st. Heat pump (PSI): _____ Cooling (PSI): _____ Outdoor Ambient Temp. (°F): _____		24) What were the measured temperatures (probe not touching any metal): At cooling: indoor return air °F, discharge air °F, and outdoor °F At heating: indoor return air °F, discharge air °F, and outdoor °F		
25) Have you checked all unit functions, with customer's witness, and all functions are correct?		26) Did you show the user how to operate the unit? Did he/she understand you?		
27) Do you provide regular one-year free technical service for this installation?		28) Do you list the working details in the invoice and leave a copy to the customer?		
Installation Finished and Unit Works Successfully. Print Name of Installation HVAC Technician: Signature: _____		Installation Finished and Unit Works Successfully. Print Name of Owner: Signature: _____		
Date and time: _____		Date and time: _____		
By signing above, I acknowledge the liability and responsibility for any false statement or not telling all the facts, and I authorize YMGI to check the details of the filled above, and make its decision on warranty. I understand our filling or filling the warranty card/form DOESN'T mean automatic warranty approval, because warranty is approved only to those qualified and successful installations by qualified HVAC technician. I know the warranty, if approved, is a standard 5-year compressor and 1-year other parts only, without any labor coverage. I agree to and will follow all the contents contained in the Limited Product Warranty Policy that YMGI, not other entity, stated in public, including but not limited to manuals, web site, email, etc.				
Important Note: A copy of the installing HVAC company's invoice to show all their work details, your payment proof, center copy B of this registration card filled after a successful installation, all three (3) MUST be mailed together to Warranty Dept., YMGI Group, POB 1559, O'Fallon, MO 63366, for warranty processing. Customer keeps bottom copy C. YMGI will check against copy A that was kept at YMGI.				

CUSTOMER AND TECHNICIAN MUST READ

PRIOR TO OPENING THE BOX OF, OR INSTALLING / SERVICING THE PRODUCT (HVAC & R)

Upon the purchasing, unpacking, installation and/or service of this product, you and all other parties hired to install or service your products, have read all YMGI Group (we) has written hereafter and all agree:

- 1) You understand all that is written hereafter in this and other documents that we publish.
- 2) You will follow what is written hereafter in this and other documents that we publish.
- 3) You will be bound by and completely follow all policies, guidelines, instructions, warnings, attentions and other materials, as published by YMGI Group, its subsidiaries or sister companies, in writing.
- 4) Only a successful installation, fully (100%) conducted by a qualified HVAC technician(s), as detailed in the checklist of the **Limited Product Warranty Policy** and **Limited Product Warranty Registration Card/Form**, along with a properly detailed installation invoice, is eligible for the **Limited Product Warranty**.
- 5) Failure to follow what is written hereafter may cause various equipment issues that you will take full responsibility and liability for, including, but not limited to, losing manufacturer's warranty, unit not working properly, unit malfunctions, under-performance, decreased safety, increased potential of various damages to your property, body, home and/or business, etc.
- 6) YMGI documents and policies supersede those made or provided by the sales distributors or installing contractors. YMGI Group maintains the final authority in explaining and resolving any and all discrepancies that might exist between distributors/contractors' documents and ours.

YMGI STRONGLY RECOMMENDS:

- * Customer hires a currently licensed/ certified HVAC technician(s) (N.A.T.E. or A.C.C.A certification is strongly recommended) to conduct 100% of the installation, inspection of all unit functions and repair service.
- * Customer signs an installation/service contract with the installation/service technician's company who has good service references and you trust. Installation and service is very important to the life of your investment and provide you a lifetime of comfort and peace of mind.
- * Customer requests the installer to put down a 1-year labor warranty coverage in the installation contract.
- * Have the technician check against all the items in the checklist of the **Limited Product Warranty Registration Card/Form**, sign and date it, to help ensure a proper and professional installation.
- * Customer pays in full, only after all the unit functions are inspected, the unit works properly, warranty checklist is fully filled out and signed and you are fully satisfied.
- * If any unit abnormality is found, have your technician check the unit first. Have them call for manufacturer technical assistance, if necessary, from your job site, not his office, so that we can more accurately assist him in diagnosing the cause of the malfunction.



CUSTOMER AND TECHNICIAN MUST READ

Dear Customer(s)/End User(s)/Unit Purchaser(s)/Installer(s)/Contractor(s)

Thanks for choosing YMGI products.

The YMGI equipment you purchased is either a split-type or a self-contained cooling/heating system which requires an installer's license, certification, knowledge, experience, carefulness and details for a successful and good installation. This equipment is different from those window or portable air conditioners you can normally purchase from local retail stores such as Home Depot, Lowe's, Sears, etc. which the manufacturer may not require licensed personnel to install.

Reading and following the YMGI Group recommendations, suggestions, and requirements, written in the following pages and other documents, is the first step in our hope and effort to help ensure a smooth installation & proper operation of your products for many years.

WHY DOES YMGI GROUP REQUIRE INSTALLATION AND SERVICE TO BE PERFORMED BY LICENSED OR CERTIFIED HVAC TECHNICIAN/ CONTRACTOR?

1) They have the training and experience to accurately and safely install and service your equipment.

The equipment runs with high-pressure refrigerant and oil and line-voltage. The copper lines must be installed properly to prevent leakage and foreign substances from contaminating the refrigerant system.

2) You will save money in the long run.

If any problems occur on the unit that is fully installed by the licensed or certified contractor, they have the training and experience to correct the problem more efficiently. A technician(s) may be unwilling to repair an issue on a unit that they did not install. If you do find a technician willing to perform the service, there is an increased possibility of higher service fees than normal, increased service visits, or delayed service from that technician.

3) It's the law!

The federal, state and/or local government and authorities have various governing laws or regulations, guidelines, ordinances, etc., requiring only licensed or certified professionals can install and service high pressure HVAC equipment.

SUGGESTIONS, TO AID YOU IN HIRING AN HVAC CONTRACTOR:

- 1) Hire a currently, practicing, licensed/ certified HVAC technician/ contractor. Technicians, who are no longer practicing (retired, etc.) in this field, may not have the updated knowledge or may lack experience on the equipment you have purchased.
- 2) Hire a technician/ contractor who services customers in your local area and you are familiar with. Local contractors have a faster response time and will be easier for you to determine if they are reputable.
- 3) Use only reputable licensed/ certified HVAC installation contractors/ technicians to prevent any unexpected charges as a result from unethical business practices.
- 4) Check their references, to verify they are a good service provider to the general customers. N.A.T.E or A.C.C.A certified technicians are strongly recommended.
- 5) Some contractors/ technicians may not feel comfortable about installing the equipment that you purchase for them to install, and they prefer to purchase and install the equipment. You can contact YMGI directly to check and see if there have been any contractors in your area who have installed our products or similar.
- 6) Ask for a detailed quote for the whole installation project. A flat rate quote is the safest contract for both you and the contractor
- 7) Your local HVAC technicians may charge you on a project basis or on an hourly basis. To our general knowledge and experience, **a full single head installation may normally cost anywhere from \$800 to \$1500**. These costs are estimates and your actual costs may differ due to job nature and location.
- 8) Number of hours can vary depending upon each individual situation, some factors are, but not limited to:
- 9) How difficult or complex the indoor unit is to be securely installed.
- 10) How difficult or how long the inter-connecting pipes and wires are to be installed.
- 11) If all the suggestions have been taken and all the necessary steps are followed.

CUSTOMER AND TECHNICIAN MUST READ

12) If the contractor(s)/technician(s) are experienced with the systems/brands you purchase.

You might spend less. But remember, many times you get what you pay for.

- 13) Sign a contract with them. The contract should list all the detailed work they will conduct and the standards they will follow. Some contractors are willing to include a 1-year installation/service warranty at no extra charge. Check with them to see if that is available. If available, include that in the contract.
- 14) Verify and confirm the installation is done completely and all the unit functions have been checked and are working properly, all the items in the checklist have been checked and marked well in the warranty registration card/form, prior to paying the contractor in full.

The cost of not having your unit installed properly can be more expensive than spending the little extra money that hiring the right contractor will cost. Protect your investment and warranty eligibility by doing it right the first time.

THE FOLLOWING LISTS THE JOBS AND RESPONSIBILITIES OF THE TECHNICIAN/ CONTRACTOR:

- * Performing a load calculation for the room(s) you would like to air condition. Cooling requirements will be different from the heating requirements. They will consider cooling hours, heating hours and your special needs or requirements. Supplemental heating such as baseboard heater or portable heater may help you save money by not over-sizing or under-sizing the heating equipment.
- * Selecting the right type, size or model of cooling and/or heating equipment.
- * Determining the best location to install the unit. (Positioning indoor unit, outdoor unit and running the inter-connecting pipes/wires.)
- * Selecting the correct electrical components (HVAC circuit breaker or fuse and disconnect switch for the electric power to the outdoor unit, types and sizes of the connecting wires between circuit breaker/disconnect switch and outdoor unit, and the wires between outdoor unit and indoor unit).
- * Keeping the indoor unit away from the ceiling and the outdoor unit away from the wall, bushes and other obstacles at a proper and safe distance to allow for the proper airflow through the unit's.
- * Placing the units on a secured level structure.
- * Taping and sealing both ends of the inter-connecting pipes, before running them through structures, to prevent dust or other debris from getting into the pipes otherwise they will contaminate and damage the refrigeration system. Failure to follow this practice will make your factory warranty void.
- * Connecting the inter-connecting pipes between the outdoor and indoor units. Checking for leaks through pressurization with nitrogen. After releasing nitrogen, evacuate the piping and indoor unit, for removal of system contaminants. Finally refrigerant introduction and adjustment, if necessary, from the outdoor unit.
- * Back-seating the stopping valves at outdoor condensing unit to release pre-charged refrigerant from outdoor unit to indoor unit.
- * Measuring and recording the electrical voltages at different terminals and the refrigerant pressures at stopping valves of outdoor condensing unit.
- * Verifying and ensuring the unit is connected to the proper electrical power supply.
- * Adjusting refrigerant levels (if necessary) following the installation instructions or chart on the unit.
- * Checking for any unusual noises and other abnormalities that might be present.
- * Operating the unit and check all functions, one by one, and explain to the owner how to operate and maintain the unit.
- * Completing all fields in detail on the installer checklist, signing and dating the **Warranty Registration Card/Form**.

LIMITED PRODUCT WARRANTY

If the installation is successfully and fully done by a qualified licensed/ certified HVAC technician/contractor, the registration card/form is filled completely and correctly, and filed along with a valid installation invoice from the contractor company within 7 days of the original installation, the following standard **Limited Product Warranty** is qualified:

5-year on compressor and 1-year other PARTS ONLY. There is **no labor coverage**.



CUSTOMER AND TECHNICIAN MUST READ



ATTENTION

- 1) The YMGI **Limited Product Warranty Policy**, details the eligibilities, coverage's and other explanations of the warranty terms between YMGI group and the unit owner.
- 2) The YMGI **Limited Product Warranty Policy** and the **Warranty Registration Card/Form** are either included inside the user's manual and/or installation instruction manual, or come separately in the unit packaging box/envelope. If for any reason they are not included with your shipment, contact our sales or customer service to request a copy (electronic or printed), prior to installation.
- 3) The checklist, in the **Warranty Registration Card/Form**, is for the currently licensed/ certified HVAC technician to fill out completely, while verifying all unit functions are operating correctly. This checklist is for the technician to test and check all details of your unit, to verify and ensure its proper operation.
- 4) The technician must complete all fields in the **Warranty Registration Card/Form**, especially the unit model and serial numbers and distributor information, and most importantly, the technician checklist.
- 5) **Warranty Registration Card/Form** shall be mailed, **along with the original copy of the currently licensed HVAC contractor's full installation invoice**, to YMGI Group, within 7-days after original installation, in order for YMGI to review and process your warranty registration.
- 6) Keep a copy of **Warranty Registration Card/Form** for your own use in the future, to aid in any possible future warranty claiming, any request of parts, customer service, and/or technical support.
- 7) YMGI reserves the right to approve or deny the warranty status based on the information reviewed.

Mailing address of the **Warranty Registration Card/Form**: Warranty Department, YMGI Group, POB 1559, O'Fallon, MO 63366, USA.

Following these requirements will aid in ensuring the units will be installed to the general HVAC practicing standards and are necessary factory requirements, to find problems early, prevent possible damage to the unit and help ensure the unit will work properly for its life time.

QUESTIONS ABOUT SELF-INSTALLATION VS HIRING LICENSED HVAC TECHNICIANS

Does YMGI allow to do-it-yourself installations (DIY) partially or fully? NO.

Unfortunately no brand or manufacturer can take the responsibility of the equipment if it is not professionally installed by a currently licensed HVAC technician/ contractor.

If unit is installed by non-licensed people, in part or fully, will the factory warranty be void? YES.

Some DIY installations have been successful, but these are exceptions. Most have resulted in equipment failure, due to lack of knowledge and experience. A few of the problems result from DIY's lack of knowledge in the following areas:

- * Sizing and selecting correct type, size and model of cooling and/or heating equipment.
- * Sizing and installing correct electric circuit breakers and wires.
- * Wiring the units correctly and properly.
- * Taping the ends, connecting to indoor and outdoor units correctly and properly.
- * Vacuuming the inter-connecting refrigerant lines.
- * Checking and/or fixing the refrigerant leaks.
- * Checking and/or fixing the condensate drain leaks.
- * Releasing the refrigerant from outdoor unit to indoor unit.
- * Running the unit to check all the unit functions.
- * Conducting the installation or trouble-shooting with correct tools, experience or professional knowledge to correct the problem.

RECEIVING AND FREIGHT DAMAGE

- * Freight (package/unit) shall be checked thoroughly for damage at receiving before accepting by signing on the carrier's delivery paperwork.
- * Upon shipment being signed for acceptance, it becomes a binding document as to the condition of the products on delivery. We cannot process any shipping damage claim, if you accept the delivery.
- * If damage is found at delivery, both you and the delivery driver must make notes on the delivery receipt or other freight paperwork detailing the damage found by marking position/parts on unit, description of damage, time/ date, your name, contact phone, etc. on the delivery documents. Make a copy of the marked delivery receipt.

CUSTOMER AND TECHNICIAN MUST READ

- * If the damage is minor or partial, that you choose to accept, you can contact the distributor or YMGI to discuss the possible replacement of the damaged part.
- * If refusal of the shipment is needed due to severe freight damage, **DO NOT** sign the carrier's delivery receipt document indicating that you accept the products. Mark receipt "REFUSED DUE TO FREIGHT DAMAGE." Sign and date along with the delivery driver's signature and date.
- * Take pictures showing the damage, before the delivery driver leaves.
- * If you accept the delivery or fail to note damage on the driver's delivery receipt, the ability to claim freight damage is lost and YMGI will not replace the unit on this basis.
- * Contact the distributor or YMGI, report the damage by forwarding the marked delivery receipt copy and pictures.
- * Only after YMGI verifies with the carrier the necessary detailed notes of received freight damage, will the damaged products be eligible for replacement.
- * If the returned products are found not damaged, YMGI will treat it as a return and will charge you 25% of product value plus added shipping cost.

RETURN-YMGI GROUP POLICIES & RETURN GOODS AUTHORIZATION (RGA)

All sales are final. If the customer wishes to return a product, the following **Return Policies** apply.

A. Only those products (units, parts or accessories) under the following conditions, are eligible for return:

1) Products are returned within 30 days of their original shipment date from YMGI

- 2) Products have not been installed.
- 3) No damage exists on the products being returned.
- 4) No missing products.
- 5) Products and packages are clean.
- 6) No duct tape or marking on the product or box.
- 7) Products are still their original package, in good shape and in re-sellable condition, as YMGI determines.

B. Preapproval steps for your return request:

- 1) Contact your distributor or YMGI to request a return.
- 2) Photograph your product and box to show details
- 3) YMGI will review your request, along with the pictures and any other details pertaining to your request.
- 4) If YMGI agrees to process your return request, a form called **Return Goods Authorization (RGA)**, along with **an assigned RGA #** will be forwarded to your distributor or you.
- 5) Any return without YMGI Group approved RGA#, will not be accepted.

C. YMGI must verify the following before you can pack your products:

- 1) No products (units, parts, accessories) are missing.
- 2) No damage is found.
- 3) The products are in the original packaging.
- 4) No duct tape on any product or box.
- 5) Pictures have been taken and sent to YMGI to verify the product and boxes are not damaged.
- 6) The RGA has been completed and a copy has been returned to YMGI, via email or fax.
- 7) YMGI has approved the request in writing.

D. Shipping Preparation:

- 1) Package all products in a manner in which no damage can occur to the product and secure to a pallet.
- 2) Take and forward pictures of packed pallets for YMGI to verify proper packaging and no existing damage.
- 3) Include the YMGI approved RGA# in the shipping documents.
- 4) YMGI reserves the right to approve or deny any shipments.
- 5) YMGI can arrange shipping for you, but not at YMGI's cost. If this option is chosen, a packing list and BOL will be issued to you through YMGI.
- 6) If the above option is not chosen, you will be responsible for all freight charges. YMGI will not accept any returned items COD.
- 7) Place the package in an area which is accessible to the shipping company for pickup and limits the possibility of damage to the product. Customer must be present at the time of freight pick up.

After shipping, fax the BOL to YMGI Group at 1-866-377-3355 or email to customerservice@ymgigroup.com, detailing the information of the freight company and their tracking number.

E. Freight Damage:

- 1) YMGI Group will inspect returned items
- 2) Claiming of freight damage from a customer hired carrier will be the customer's responsibility.
- 3) Claiming of freight damage from a YMGI hired carrier will be YMGI's responsibility.



CUSTOMER AND TECHNICIAN MUST READ

F. Charges for your return:

- 1) A restocking charge of 25% creditable invoice value.
- 2) All return shipping fees.
- 3) Additional fees will be charged, if products are found to be damaged, missing or used.
- 4) YMGI will notify the distributor of the charges only after the inspection and assessment of the returned products has been completed.

Attention:

- 1) Returned products must be shipped within 7 days of YMGI's releasing of **RGA #**.
- 2) All **RGA** shipping shall be prepaid by the customer. **YMGI will not accept any COD freight.**

YMGI GROUP DISCLAIMING-1:

YMGI Group will NOT accept any return, or may not honor 100% credit for any return of Product(s)/Part(s)/Accessories, in any of the following cases:

- * Return requests made 30 or more days after the date of original sales shipping from YMGI Group warehouse.
- * Return shipment is initiated 8 days or more after the RGA is approved.
- * Returned products received not displaying an YMGI-approved valid **RGA #**.
- * Returned products received C.O.D.
- * Returned products not received in the original packaging.
- * Returned products received with non-repairable packaging, including duct tape or marks on units or carton boxes.
- * Returned products received with missing units/parts/accessories.
- * Returned products received, are found to be non-functional or damaged.

YMGI GROUP DISCLAIMING-2:

- * YMGI Group will not be responsible for any losses of returned unit(s)/part(s)/accessories in transition to YMGI Group warehouse.
- * YMGI Group RGA is valid for seven (7) days from the original issuing date. Returns will not be accepted, if shipping is made 8 or more days after the YMGI Group RGA is issued.

DEFECTIVE UNITS / PARTS / ACCESSORIES-REPAIR OR REPLACEMENT

Out of thousands of units sold every year, there may be an occasional instance your product does not operate properly. Reasons of but are not limited to: **manufacturing, installation, operation, maintenance and knowledge of operator.**

Equipment failure does not automatically denote a product defect from the factory assembly line. The defects can be caused, during production, transportation, installation, operation, maintenance, or service. Defects may NOT be the responsibility of the manufacturer. Nobody willfully or intentionally produces a defective product. No determination shall be made until the technical issue(s) or the causes of the defect(s) are identified.

The defects might be found before/ during installation or in the operation of the unit. Defects can be in the form of blown fuse(s), defective control board(s), damaged remote control, loose or missing screws, etc. These defective parts can be replaced easily.

Some functions of our units are different from what are typical in traditional split type air conditioning and heat pump systems and similar systems made by other manufacturers. These are not defects. Take some time to learn the functions of your unit. We will be happy to assist you with any questions you may have concerning the functions of your new unit.

If a defect is found, whether at the original installation, or during normal operation, we will gladly help you in the following steps in sequence from 1 to 3:

1. **Part repair or replacement after trouble-shooting:** This is the most common and generally the easiest and most economical way for all parties, since the problem and all part needs can be accurately and completely identified.

- * Your technician calls our technical support line, from your job site, after checking your units and getting all the information ready.
- * Our technical support will go through several steps, over the phone or through email, with your technician, in order to help identify and resolve the problems. Normally wiring correction, piping correction, part repair/ replacement will resolve the problems.

CUSTOMER AND TECHNICIAN MUST READ

- * Your technician will then need to verify and confirm the problem(s) before YMGI can ship out the replacement part(s). Inaccurate or incomplete troubleshooting or part replacement will delay the repair. YMGI technical support will only speak with a licensed/certified technician in regards to the repair of your unit. In our experience this saves time and money for all parties involved.

Your technician is the only person to perform any physical checking, trouble-shooting and replacing of any defective part(s) for your units. Our factory technical support is just a help. **YMGI provided no labor warranty on the products.**

2. **Unit/part repair at our workshop(s):** Due to the limitations of our technical support not being at your job site, or your technician's experience with our product, the problem may not be resolved as quickly as would be desired. If the problem is still not resolved after attempts between your technician and our technical support, you can elect to have the unit repaired at our facility. If this step is chosen:

- 1) YMGI will send to you the **Customer Request to Ship Products to YMGI Service Center for Inspection and Repair, and Authorization to Charge** form.
- 2) You will review the form and fill all fields appropriately, sign and send back to the YMGI Group.
- 3) Once the form has been completed and sent back to YMGI, remove the units and ship back to YMGI.

Please make a note describing the problem and communication history, if possible. Our technicians will check the units and find the problem(s), repair the issue(s), and ship the unit back to you following the conditions set forth in the signed repair agreement. All unit removal and re-installation is done at your cost and must be done by a currently valid licensed HVAC technician.

3. **Unit replacement:** Only applies to those defects reported within 30 days of original purchase date and if all necessary warranty paperwork had been received and approved. This option applies only if the above steps cannot resolve the problem(s). Either indoor or outdoor unit replacement is available, based on the actual need, at YMGI's determination. ***This option shall be the last resort***, due to refrigerant and wiring considerations. All unit removal, re-installation and shipping cost are the responsibility of the customer. YMGI maintains the final authority as to unit replacement. Replacement will be made with the same model only. Alternate units will be treated as a new order.

Returning Replaced Defective Units/Parts/Accessories After Unit Repair: (Only applies to steps 1&3 above)

- 1) Repack the replaced unit/ part /accessory in the box which contained the replacement part.
- 2) Parts can be boxed for UPS, FedEx or equivalent ground service. Units shall be secured onto the skid on which the replacement was shipped after placing into the package from the replacement product.
- 3) Ship **all** replaced products, to YMGI-designated location. You will be charged if YMGI does not receive the replaced parts.

Standard factory warranty does not cover the cost of materials and labor that are incurred at your site. There will be no cost for the replacement unit, if YMGI determines the defect is manufacturer related. Replacement will be made with the same model, only. Alternate units will be treated as a new order.

CUSTOMER SERVICE / TECHNICAL SUPPORT FROM YMGI GROUP

For questions or help with your unit, contact the original installer or service provider.

YMGI Group does not install nor physically service your unit. Your installer or service provider must check the unit prior to contacting YMGI Group from your jobsite, in order to be helped in an efficient and timely manner.

* Factory customer service at customerservice@ymgigroup.com Tel: 1-866-833-3138x704

* Factory technical support at techsp@ymgigroup.com Tel: 866-833-3138x703

* Fax: 1-866-377-3355

An "**YMGI Group Customer Service/Technical Support Daily Log Sheet**" will be filed in writing at our office, for effective communication between you and YMGI Group customer service, your technician and YMGI Group technical support. Before contacting the YMGI Group locate the IP# written at the top of your warranty registration form. Use this IP# whenever you contact the YMGI Group.

DISTRIBUTOR AND MANUFACTURER POLICIES





- * All questions concerning sales or money will be directed to the sales distributor from which you purchased the units.
- * Read and follow all policies set forth from the distributor from which you purchased your unit.
- * Upon purchase and installation of the unit(s), you agree to be bounded by all policies published by both distributors and YMGI.
- * MGI Group has the final authority and supersedes other related parties (distributors, etc.) concerning all policies regarding YMGI products.



IMPORTANT NOTES

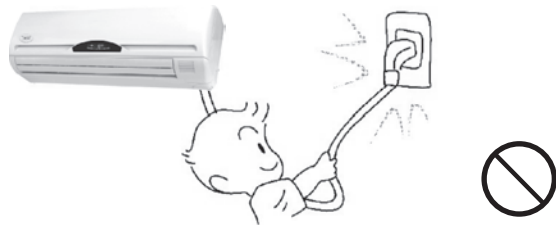
SAFETY WARNINGS

READ THESE SAFETY WARNINGS COMPLETELY PRIOR TO ANY USE.

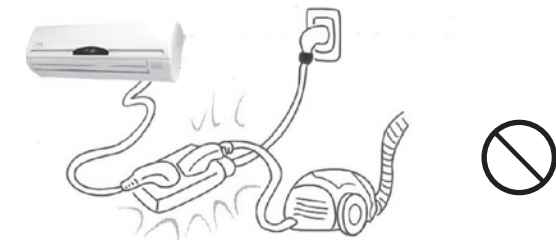
	Ground connection		Forbidden
	Disconnect the plug		Imperative

These precautions are essential and must be strictly observed.

DO NOT draw on the power cord or refrigeration lines. Install them in secured positions. Plastic cover of line set is recommended.



DO NOT use smaller than enough wires. Do not put several circuits to one breaker. Don't use smaller than enough circuit breakers. Otherwise power failure or fire may be caused.



DO NOT pull on the power cord or refrigeration lines. Install them in a secured position. A line set plastic cover is recommended.

DO NOT install the unit in places where there is exposure to flammable materials or gas leakage.

DO NOT use wire or circuit breakers that do not meet electrical safety standards. Several circuits cannot be connected to one breaker.

DO NOT wire or open the unit while it is running. Make sure to shut off all circuits prior to inspecting or servicing the unit.

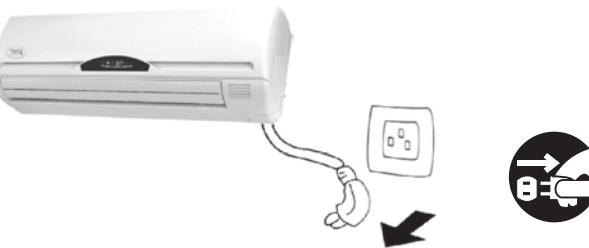
DO NOT install unit in a damp laundry room or near flammable gas. All units must be protected by certified electrical circuit breakers and in accordance with all safety codes.

DO NOT use the unit in cool or dry mode for prolonged periods where humidity is higher than 80%.

DO NOT blow the cold air directly towards people for prolonged period. Otherwise, people may get cold.



DO NOT wire or open unit while unit is running. Sparks or fire may occur. It may cause a shock to people.



DO NOT install the indoor unit close to cooking surfaces or ventilation systems. Poor placement could inhibit peak performance.

DO NOT blow cold air directly towards people for extended periods. It may get you a bad cold.

DO NOT use chemical solvents, flammable insecticides, or abrasive materials. Clean the unit only with a soft dry cloth or rag.

DO NOT continue to operate the unit if there is any abnormal odor, burning, scorching, or smoke. Stop and disconnect the unit immediately.

DO NOT use the system for anything other than what it was designed for or any non-HVAC purposes. Do not store near food, paint, or other chemicals.

DO NOT operate the unit for prolonged periods without refreshing ambient air. Opening a door or window periodically will suffice.

IMPORTANT NOTES FOR UNIT OPERATION AMBIENT & SIZING

IMPORTANT NOTES:

- 1) Working temperature ranges listed above are designed for units to work properly, though these temperature ranges are conservative.
- 2) Units may still work well out of the guaranteed working temperature ranges, as long as they are installed properly and are still in good conditions within design envelope.
- 3) Units are designed for mild low temperature AC cooling applications. Units come with low temperature control to protect agent too low pressure when running for AC cooling in weather colder than 45°F and warmer than 35°F. In this temperature ranges, units may not need to add refrigerant and/or jumper at low pressure switch. If units are to be used for cooling only below 35°F, then better to check and add refrigerant and jumper at low pressure switch. Situation varies upon indoor load and indoor unit installation conditions such as TEX type, elevation vs outdoor unit, copper line set size and length, refrigerant level and leakage level.
- 4) Units may still work HP heating well way below 17°F, though exact temperatures are not listed. Units will defrost during HP heating model in cold weather. Suction (bigger) pipe should be hot and the discharge (smaller) pipe should be warm at outdoor unit during HP heating mode, if everything is right.
- 5) In low temperature ranges, it is always recommended to add one low ambient controller to the outdoor unit. Recommended model is ICM 326HN. Following the low ambient control manufacturer for proper wiring and set-up.
- 6) Optional component Wind Baffle installed at fan discharge side on the cabinet is designed to keep from cold air blowing into propeller fan blade against airflow, and so help unit work better in both AC cooling and HP heating mode in colder weather ranges.

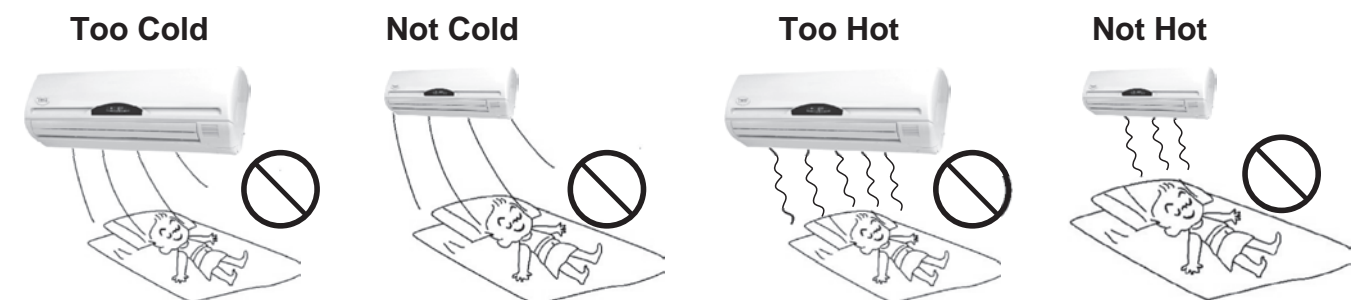
Since outdoor units can be installed on the wall or balcony, where is close to indoor unit, at least the following benefits will be brought to contractors and customers:

- * Indoor unit operates much quieter than air diffuser of central air conditioning system.
- * Stylish design of indoor unit adds beauty to rooms.
- * Connection pipe, refrigerant usage is much saved compared to installing up-flow condensing units on the ground and long copper/wire lines needed between indoor and outdoor units.
- * Contractor work is eased and time is saved.
- * Efficiency and lifetime of system is increased.

Mini Split Wall Mount Systems come with three types: cooling only and heat pump and heat pump with electric heater. These units can be easily wired. Either indoor unit or outdoor unit can be used with any matched comparable outdoor unit or indoor unit as long as they have matched size and control. Must refer to electrician before doing so.

Each system is fully tested per rigorous standards at factory. Acoustically and thermally balanced design and systematically optimized system give each unit a healthy birth off the assembly line with proved quality and reliability.

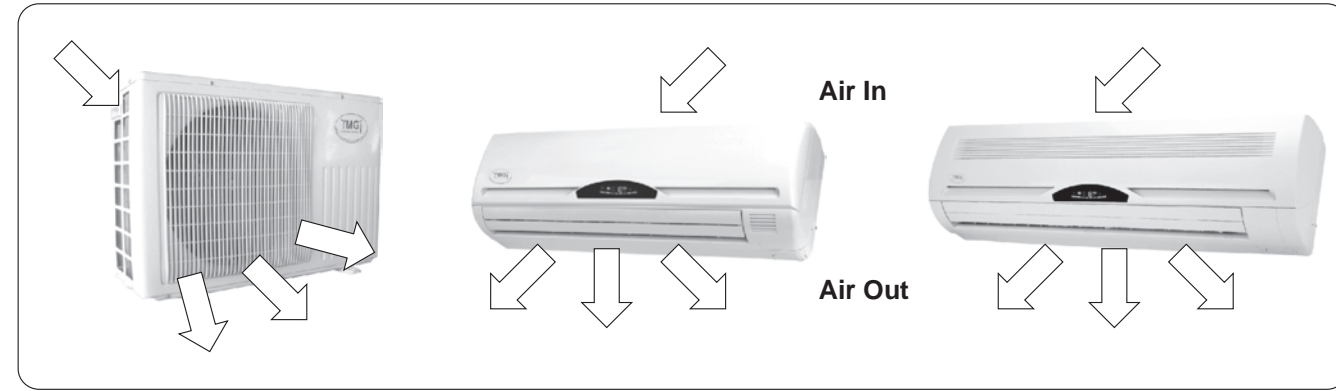
Find the cooling/heating load capacity of the space where the unit will be in service. Select matched WMMS units for the space. Under sizing or over sizing equipment is NOT recommended.



BRIEF INTRODUCTION TO MINI SPLIT WALL MOUNT SYSTEM

Mini Split Wall Mount Systems are designed for high performance, easy installation and service. Each system consists of one or several indoor units and one outdoor unit, which are connected by one set or several multiple sets of interconnection refrigerant pipes and electric wires.

As shown in the following sample picture of outdoor unit, air is drawn through the coil from the rear side and then discharged from the front side. In cooling mode, air passing through coil is heated; in heating mode, air passing through coil is cooled.



Sample Wall Mount Mini Split System (For Continuous Engineering Improvement and Various Marketing Needs and Actual Part Availability Reason, Unit Appearance Subject to Change or Update Continuously without Prior Notice)

Outdoor unit(s) provides the electrical and thermal power for the whole system. Electrical and thermal components such as compressors and motors and heat exchange coils and others, are incorporated into the cabinet in an optimized order. They can be either hung on the wall or installed on the ground. Once stacking or bracket kit is used, some outdoor units can be stacked 2 or 3 units high, upon unit size and applications. Air is discharged horizontally, quietly and smoothly. These units are perfect fit in locations where installation and applications of general up-flow condensing units are limited, such as apartments, condos, lofts, multi-families and high-rise buildings and others named or unnamed.

Indoor unit(s) delivers the thermal and acoustical comfort to the rooms. Air is drawn through the coil from the front or topside and then discharged from the bottom. In cooling mode, air passing through coil is cooled; in heating mode, air passing through coil is heated. Air is filtered or treated by the built in mechanism (washable or enzyme equipped or electrostatic powered filter, varies from model to model), before being delivered into the room, with more than enough comfort and care, at a wide angle (swing or not, varies from model to model).



Apartments



Office Buildings



Homes

Application Samples of Wall Mount Mini Split Systems

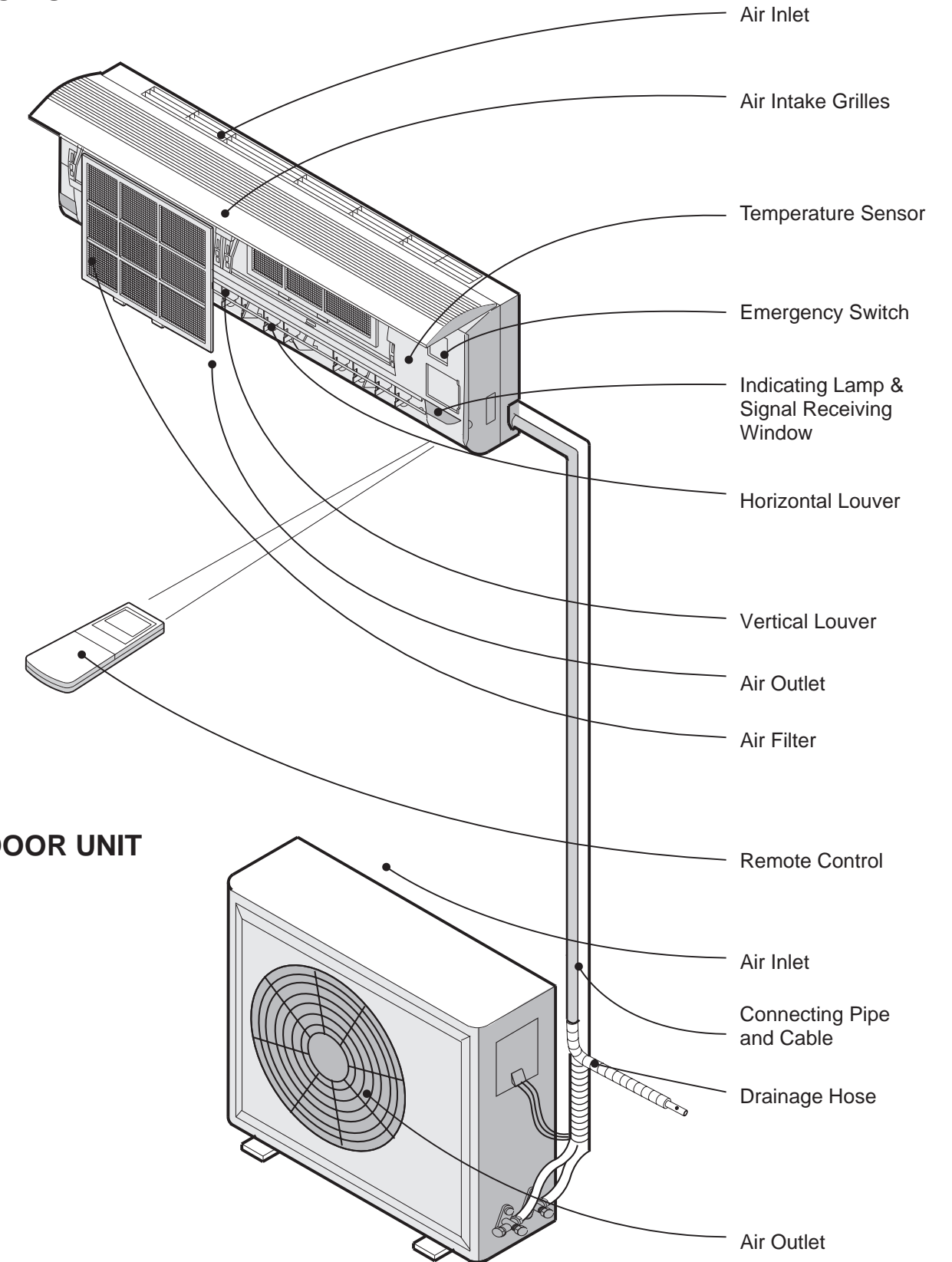
NOTES: Since ductless system is not designed to incorporate or use with ducted return or discharge tunnels, one single-zone unit SHALL NOT be used to take care of the cooling or heating load of more than one-story room. Several single-zone ductless systems or multiple-zone ductless systems shall be proper in this regard.

These units are designed for applications at:

- * Residential
- * Institutional
- * Commercial
- * Light commercial
- * Industrial
- * Hospital

BEFORE INSTALLATION IDENTIFY COMPONENTS

INDOOR UNIT



OUTDOOR UNIT

Unit Appearance and Specifications Are Subject to Change for Continuous Improvement without Any Prior Notice.

MINI WALL MOUNT SYSTEMS-MODELS

Wall Mount Mini -Basic Split Systems-Single & Multiple Zones

13 SEER

R410A

Wall Mount Mini Split - Single Zone

Cooling Only	System Model	WMMS-09K-31A(B)	WMMS-12K-31A(B)	WMMS-18K-31B	WMMS-24K-31B	WMMS-30K-31B	WMMS-36K-31B
	Indoor Unit	WMMS-09E-31A(B)	WMMS-12E-31A(B)	WMMS-18E-31B	WMMS-24E-31B	WMMS-30E-31B	WMMS-36E-31B
	Outdoor Unit	WMMS-09C-31A(B)	WMMS-12C-31A(B)	WMMS-18C-31B	WMMS-24C-31B	WMMS-30C-31B	WMMS-36C-31B
Heat Pump	System Model	WMMS-09K-32A(B)	WMMS-12K-32A(B)	WMMS-18K-32B	WMMS-24K-32B	WMMS-30K-32B	WMMS-36K-32B
	Indoor Unit	WMMS-09E-32A(B)	WMMS-12E-32A(B)	WMMS-18E-32B	WMMS-24E-32B	WMMS-30E-32B	WMMS-36E-32B
	Outdoor Unit	WMMS-09C-32A(B)	WMMS-12C-32A(B)	WMMS-18C-32B	WMMS-24C-32B	WMMS-30C-32B	WMMS-36C-32B
Heat Pump / Elec. Heat	System Model	WMMS-09K-34B	WMMS-12K-34B	WMMS-18K-34B	WMMS-24K-34B	WMMS-30K-34B	WMMS-36K-34B
	Indoor Unit	WMMS-09E-34B	WMMS-12E-34B	WMMS-18E-34B	WMMS-24E-34B	WMMS-30E-34B	WMMS-36E-34B
	Outdoor Unit	WMMS-09C-32B	WMMS-12C-32B	WMMS-18C-32B	WMMS-24C-32B	WMMS-30C-32B	WMMS-36C-32B

Wall Mount Mini Split - Dual Zone

Cooling Only	System Model	WMMS-2X09K-31B	WMMS-0912K-31B	WMMS-2X12K-31B	WMMS-2X18K-31B	WMMS-2X24K-31B	WMMS-2X30K-31B
	Indoor Unit	WMMS-09E(F)-31B	WMMS-0912E(F)-31B	WMMS-12E(F)-31B	WMMS-18E(F)-31B	WMMS-24E(F)-31B	WMMS-30E(F)-31B
	Outdoor Unit	WMMS-2X09C-31B	WMMS-0912C-31B	WMMS-2X12C-31B	WMMS-2X18C-31B	WMMS-2X24C-31B	WMMS-2X30C-31B
Heat Pump	System Model	WMMS-2X09K-32B	WMMS-0912K-32B	WMMS-2X12K-32B	WMMS-2X18K-32B	WMMS-2X24K-32B	WMMS-2X30K-32B
	Indoor Unit	WMMS-09E(F)-32B	WMMS-0912E(F)-32B	WMMS-12E(F)-32B	WMMS-18E(F)-32B	WMMS-24E(F)-32B	WMMS-30E(F)-32B
	Outdoor Unit	WMMS-2X09C-32B	WMMS-0912C-32B	WMMS-2X12C-32B	WMMS-2X18C-32B	WMMS-2X24C-32B	WMMS-2X30C-32B
Heat Pump / Elec. Heat	System Model	WMMS-2X09K-34B	WMMS-0912K-34B	WMMS-2X12K-34B	WMMS-2X18K-34B	WMMS-2X24K-34B	WMMS-2X30K-34B
	Indoor Unit	WMMS-09E(F)-34B	WMMS-0912E(F)-34B	WMMS-12E(F)-34B	WMMS-18E(F)-34B	WMMS-24E(F)-34B	WMMS-30E(F)-34B
	Outdoor Unit	WMMS-2X09C-32B	WMMS-0912C-32B	WMMS-2X12C-32B	WMMS-2X18C-32B	WMMS-2X24C-32B	WMMS-2X30C-32B

Wall Mount Mini Split - Triple Zone

Cooling Only	System Model	WMMS-3X09K-31B	WMMS-3X12K-31B	WMMS-2X0912K-31B	WMMS-2X-1218K-31B	WMMS-2X1824K-31B	WMMS-1230K-31B
	Indoor Unit	WMMS-09E(F)-31B	WMMS-09E(F)-31B	WMMS-0912E(F)-31B	WMMS-12/18E(F)-31B	WMMS-18/24E(F)-31B	WMMS-12/30E(F)-31B
	Outdoor Unit	WMMS-3X09C-31B	WMMS-3X12C-31B	WMMS-2X0912C-31B	WMMS-2X1218C-31B	WMMS-2X1824C-31B	WMMS-2X1230C-31B
Heat Pump	System Model	WMMS-3X09K-32B	WMMS-3X12K-32B	WMMS-2X0912K-32B	WMMS-2X1218K-32B	WMMS-2X1824K-32B	WMMS-2X1230K-32B
	Indoor Unit	WMMS-09E(F)-32B	WMMS-09E(F)-32B	WMMS-0912E(F)-32B	WMMS-12/18E(F)-32B	WMMS-18/24E(F)-32B	WMMS-12/30E(F)-32B
	Outdoor Unit	WMMS-3X09C-32B	WMMS-3X12C-32B	WMMS-2X0912C-32B	WMMS-2X1218C-32B	WMMS-2X1824C-32B	WMMS-2X1230C-32B
Heat Pump / Elec. Heat	System Model	WMMS-3X09K-34B	WMMS-3X12K-34B	WMMS-2X0912K-34B	WMMS-2X1218K-34B	WMMS-2X1824K-34B	WMMS-2X1230K-34B
	Indoor Unit	WMMS-09E(F)-34B	WMMS-09E(F)-34B	WMMS-0912E(F)-34B	WMMS-12/18E(F)-34B	WMMS-18/24E(F)-34B	WMMS-12/30E(F)-34B
	Outdoor Unit	WMMS-3X09C-32B	WMMS-3X12C-32B	WMMS-2X0912C-32B	WMMS-2X1218C-32B	WMMS-2X1824C-32B	WMMS-2X1230C-32B

Wall Mount Mini Split - Quad Zone

Cooling Only	System Model	WMMS-4X09K-31B	WMMS-4X12K-31B	WMMS32X0912K-31B	WMMS-3X-1209K-31B	WMMS-2X(0912)K-31B
	Indoor Unit	WMMS-09E(F)-31B	WMMS-12E(F)-31B	WMMS-0912E(F)-31B	WMMS-12/09E(F)-31B	WMMS-0912E(F)-31B
	Outdoor Unit	WMMS-4X09C-31B	WMMS-4X12C-31B	WMMS-3X0912C-31B	WMMS-3X1209C-31B	WMMS-2X(0912)C-31B
Heat Pump	System Model	WMMS-4X09K-32B	WMMS-4X12K-32B	WMMS-3X0912K-32B	WMMS-3X1209K-32B	WMMS-2X(0912)K-32B
	Indoor Unit	WMMS-09E(F)-32B	WMMS-12E(F)-32B	WMMS-0912E(F)-32B	WMMS-12/09E(F)-32B	WMMS-0912E(F)-32B
	Outdoor Unit	WMMS-4X09C-32B	WMMS-4X12C-32B	WMMS-3X0912C-32B	WMMS-3X1209C-32B	WMMS-2X(0912)C-32B
Heat Pump / Elec. Heat	System Model	WMMS-4X09K-34B	WMMS-4X12K-34B	WMMS-3X0912K-34B	WMMS-3X1209K-34B	WMMS-2X(0912)K-34B
	Indoor Unit	WMMS-09E(F)-34B	WMMS-12E(F)-34B	WMMS-0912E(F)-34B	WMMS-12/09E(F)-34B	WMMS-0912E(F)-34B
	Outdoor Unit	WMMS-4X09C-32B	WMMS-4X12C-32B	WMMS-3X0912C-32B	WMMS-3X1209C-32B	WMMS-2X(0912)C-34B

IMPORTANT NOTES-About System Performance:

- The rated performance data is tested under one of the indoor & outdoor conditions at standard set-up installation.
- Actual performance varies upon many factors such as indoor and outdoor temperatures, inter-connecting pipe length/bending, elevation difference between indoor and outdoor units, refrigerant level, vacuum level, leakage, air or moisture or other contamination level, foreign substance left in the piping, indoor filter cleanliness, indoor and outdoor coil conditions, and others.
- The electrical driving voltage and frequency, as well as the mechanical performing pressures and temperatures, at different operating points, during different operating periods, at different operating conditions. Suggest to measure temperatures and pressures several minutes after starting, when unit is stabilized.
- May refer to other specification tables or engineering submittals, for detailed system performance at different conditions.
- System performance will be degraded, if systems are improperly selected, operated, installed, maintained, or serviced (which are not conducted by manufacturer).

ENGINEERING SUBMITTAL-UNIT SIZES & WEIGHT

UNIT SIZES AND WEIGHT

Check nameplates on both indoor and outdoor units to apply the correct electric power input into each unit.

Check and evaluate the security of the position and structure where the indoor and outdoor units are to be installed. All equipment, duct, refrigerant pipe, drainage pipe, electrical panel, and other components to be sturdy enough and well integrated to allow the whole HVAC system to perform its job safely and economically as supposed.

Refer to the dimensions and weight as shown in the following table.

Physical Sizes/weight-Single Zone (Subject to Change for Continuous Improvement without Prior Notice)

K But/h	WxHxD (Inch) (ROUNDED)		Net Weight (LB) Indoor/Outdoor
	Indoor Unit	Outdoor Unit	
09	31x11x7	31x21x13	17/61
12	36x11x8	33x24x14	25/87
18	41x12x8	32x28x15	33/101
24	49x13x9	35x31x17	42/123
30	49x13x9	35x31x15	42/136
36	49x13x9	33x48x15	42/176

Physical Sizes/weight-Dual Zone (Subject to Change for Continuous Improvement without Prior Notice)

K But/h	WxHxD (Inch) (ROUNDED)		Net Weight (LB) Indoor/Outdoor
	Indoor Unit	Outdoor Unit	
2x09	31x11x7	33x28x15	2x17/112
2x12	36x11x8	35x31x17	2x25/135
2x18	41x12x8	33x48x15	2x33/200
2x24	49x13x9	37x49x17	2x42/229
2x30	49x13x9	37x49x17	2x42/257

UNIT SIZES AND WEIGHT

Physical Sizes/weight-Triple Zone (Subject to Change for Continuous Improvement without Prior Notice)

K But/h	WxHxD (Inch) (ROUNDED)		Net Weight (LB) Indoor/Outdoor
	Indoor	Outdoor	
3x09	31x11x7	33x48x15	3x17/200
3x12	36x11x8	37x49x15	3x25/216
3x18	41x12x8	33x48x15	3x33/222
2x09+12	31x11x7/36x11x8	33x48x15	2x17, 25/200
2x09+18	31x11x7/41x12x8	33x48x15	2x17, 33/222
2x12+18	36x11x8/41x12x8	37x49x17	2x25, 33/233
2x12+24	36x11x8/49x13x9		2x25, 42/240
2x12+30	36x11x8/49x13x9		2x25, 42/240
2x18+24	41x12x8/49x13x9		2x33, 44/265

Physical Sizes/weight-Quad Zone (Subject to Change for Continuous Improvement without Prior Notice)

K But/h	WxHxD (Inch) (ROUNDED)		Net Weight (LB) Indoor/Outdoor
	Indoor	Outdoor	
4x09	31x11x7	33x48x15	4x17/200
4x12	36x11x8	37x49x17	4x25/216
3x09+12	31x11x7/36x11x8		3x20, 35/233
3x12+09	36x11x8/31x11x7		2x35, 20/265
2x(09+12)	31x11x7/36x11x8		2x(20+35)/240

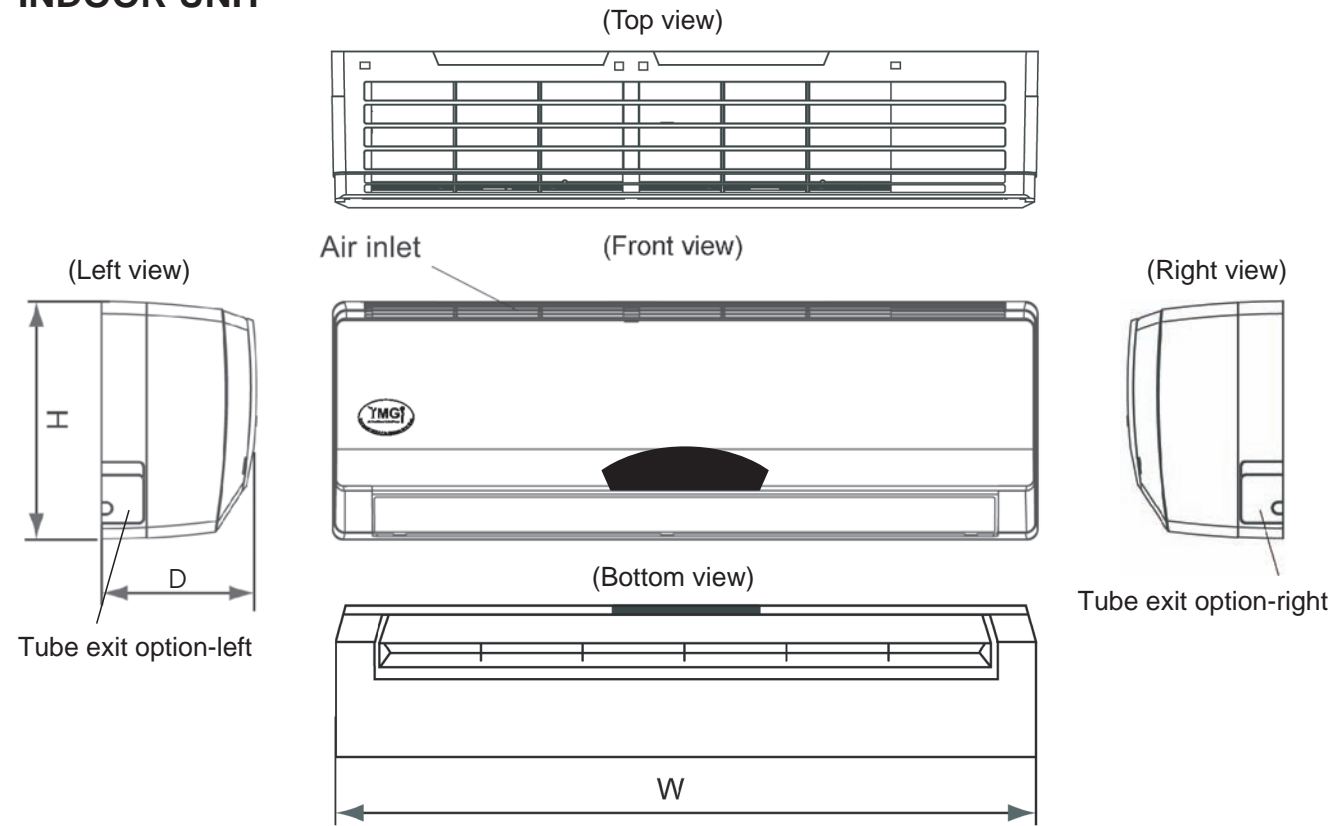


BRIEF UNIT INFO

BRIEF UNIT INFO

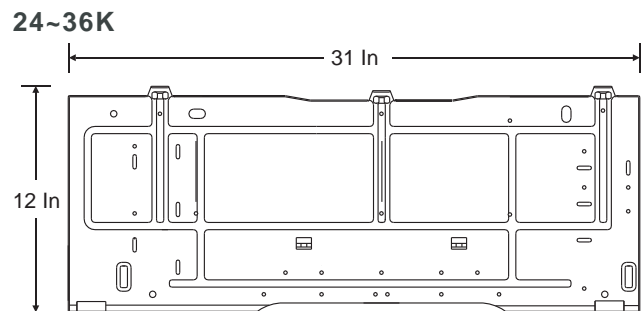
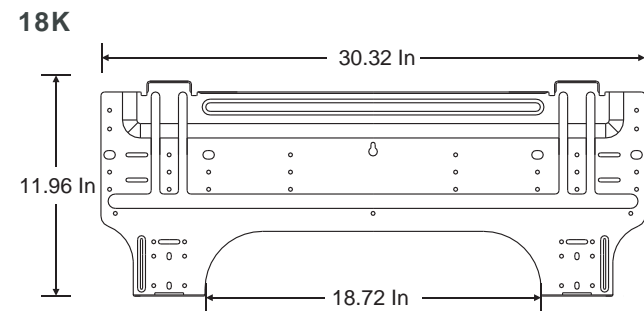
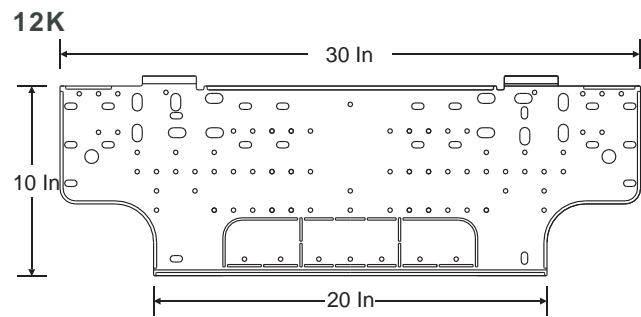
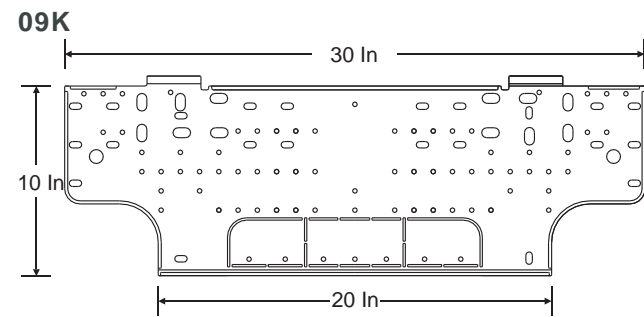
UNIT ENGINEERING SUBMITTALS-MECHANIAL

INDOOR UNIT



Unit Model	Dimensions (In)			Weight (Lbs)	
	W	H	D	Net	Operation
09K	30.9	10.6	7.8	17	23
12K	36.2	10.6	7.9	25	28

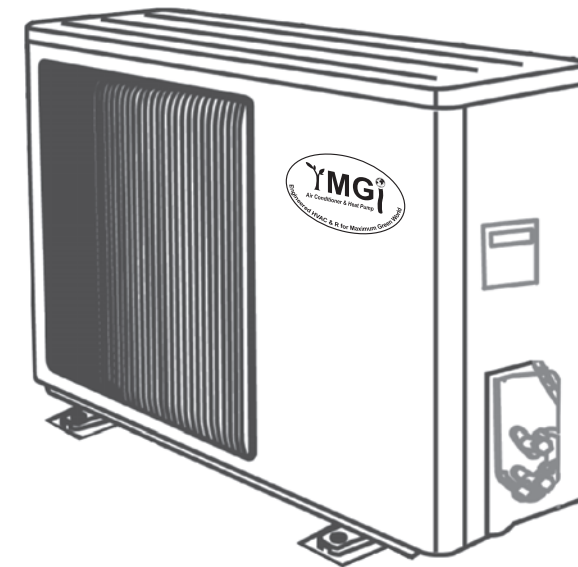
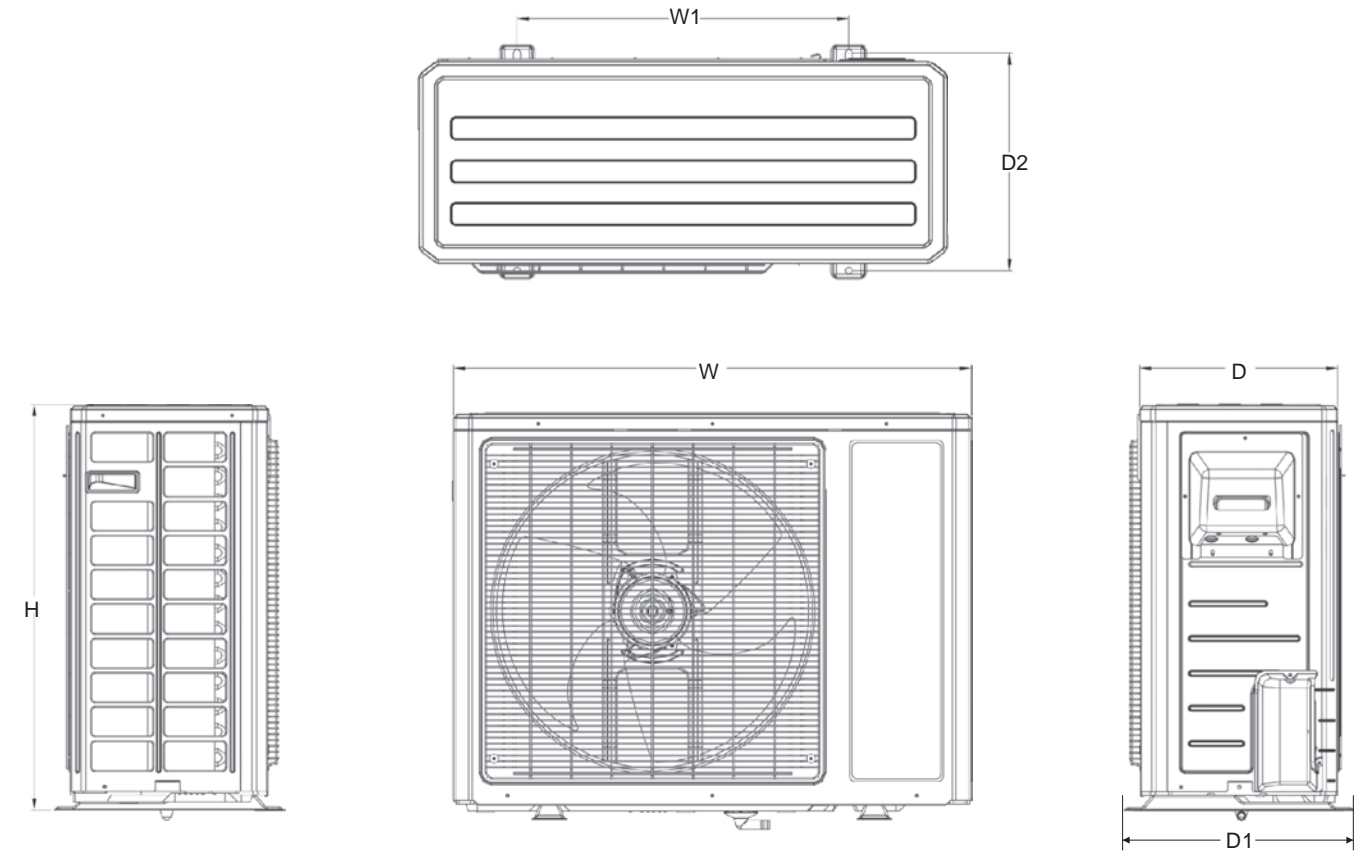
Unit Model	Dimensions (In)			Weight (Lbs)	
	W	H	D	Net	Operation
18K	40.2	12.4	9.1	33	36
24~36K	48.4	12.8	9.6	42	48



Notes: 1) Secure bracket on 2 studs. 2) put at least 3 screws on each stud.

UNIT ENGINEERING SUBMITTALS - MECHANICAL

OUTDOOR UNIT



Unit Model	Dimensions (In)						Weight (Lbs)				
	W	W1	H	D	D1	D2	Net	Operation			
09K	30.7	19.9	21.5	10	12.5	11.1	61	66			
12K	30.7	19.9	21.5	10	12.5	11.1	87	91			
2×09K	18K	33.1	19.7	24.4	11.2	13.7	12.4	101	108		
2×12K	24K	32.7	20.3	28.3	12.2	15.0	13.8	123	152		
12+18K	30K	34.6	24.2	31.5	14.2	16.5	15.6	136	165		
2×09+12K	3×09K	2×18K	36K	32.7	20.3	49.4	12.2	15.0	13.8	176	209
2×(09+12)K	2×12+18K	18+24K	42K	32.7	20.3	49.4	12.2	15.0	13.8	Varies	
2×12+24K	3×12K	2×24K	48K	36.6	22.6	49.4	15.4	17.3	16.3	Varies	
3×12+24K	2×18+24K	2×30K	60K	36.6	22.6	49.4	15.4	17.3	16.3	Varies	

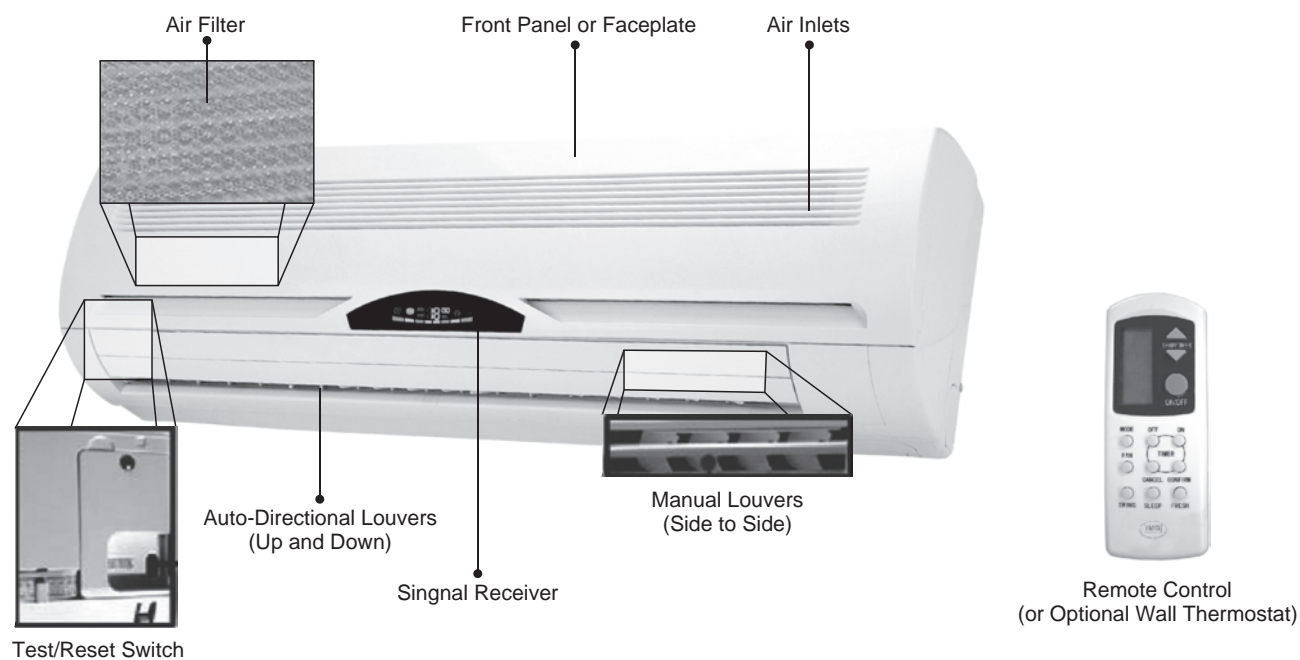


BRIEF UNIT INFO

BRIEF UNIT INFO

IMPORTANT NOTES FOR UNIT OPERATION AMBIENT & SIZING

INDOOR UNIT-MAJOR COMPONENTS



MANUFACTURE'S IMPORTANT NOTES FOR INSTALLING CONTRACTOR/TECHNICIAN

1. Before Conducting the Installation:

- 1) Sign the contract to state your installing job contents, service, payment terms, and warranty.
- 2) Read the unit's manuals and other instructions.
- 3) Double-check if the unit type, model and size will do the job the customer expects.
- 4) Make sure the electrical power circuit breaker, wire type/size, insulation, drainage pipe, sealing and banding materials, mounting and supporting brackets are properly selected and sized.

2. Before Charging Indoor Unit:

The trained or experienced HVAC installer must check and make sure the following are all good, before turning on refrigerant valves to release refrigerant from the outdoor unit into the inter-connecting copper pipes and indoor unit:

- 1) Refrigerant pipe sealing at indoor unit (should hear some hiss, once breaking the seal at any one of the indoor unit copper pipe connectors)
- 2) Drainage/water leakage at indoor unit (should see the drainage come out of indoor unit drain hose, freely, without any unexpected dripping in anywhere else);
- 3) Fan wheel rotation at indoor unit (should rotate freely and smoothly, without any abnormal noise or restriction);
- 4) Fan wheel rotation at outdoor unit (should rotate freely and smoothly, without any abnormal noise or restriction);
- 5) No-kinking or other leaking potentials found at inter-connecting refrigerant and condensate pipes (should be smooth with no kink);
- 6) Pressure leakage test in the cavities of inter-connecting copper pipes and indoor unit (should not blow any soap bubble due to gas leakage from inside the pipe);
- 7) Vacuum level test in the cavities of inter-connecting copper pipes and indoor unit (vacuum 15 minutes for system of 2 zones, 25 minutes for system of 3 or more zones. Should hold 500 Micron or better);
- 8) No other abnormal situation should be found.

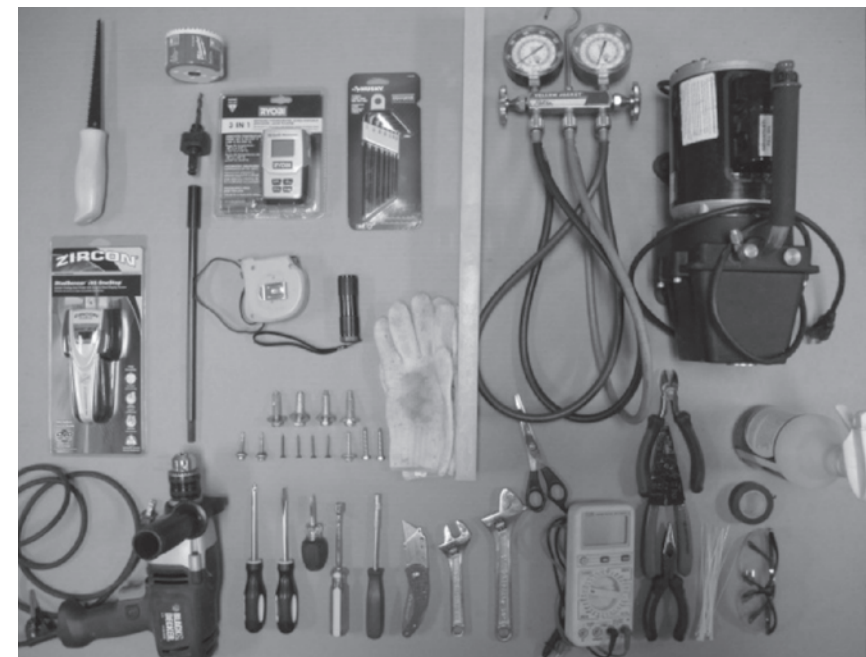
3. Before Finishing Installation:

Must check all the functions and make sure they all work fine and nothing abnormal is found, before calling the installation a completion. A qualified installation shall end with an explanation how to operate the unit and maintain it to good conditions, as well as a service contact person's name and phone number.

4. During Service or Trouble-Shooting:

- 1) Must check the units to find all the problems, before conducting any service or trouble-shooting.
- 2) Must read manuals and instructions.
- 3) Must get unit model and serial numbers, before calling the manufacturer technical support or customer service.
- 4) Must call the manufacturer technical support or customer service, when you are at the job site. May need to run the units, go through steps and check few things, using some professional tools and special procedures.

RECOMMENDED TOOLS FOR INSTALLATION



1) Mounting Indoor & Outdoor Units and Running Piping/Wiring

- Ruler (Not Shown)
- Stud-Finder
- Dry-Wall Saw
- Electric Drill
- 3" Hole Saw
- Drill Extension
- Hammer Drill and Bit (Not Shown)
- Measuring Tape
- Level
- Flash Light
- Screw Driver (Phillips and Flat)
- Hammer
- Knife
- Scissors
- Goggles Glass
- Mask
- Gloves
- Ladder

2) Refrigeration Related Work

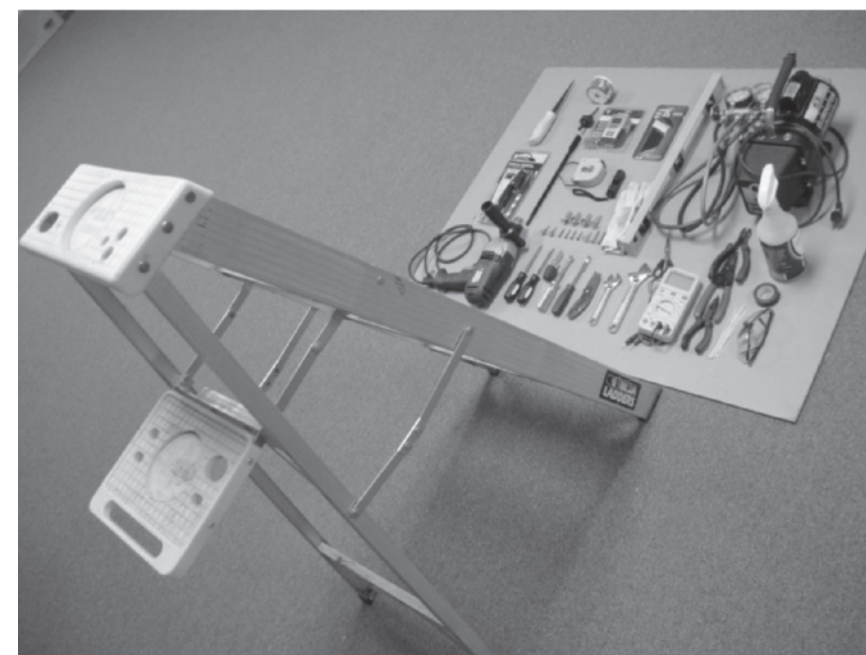
- Individual Wrench Set (Use Two at One Time)
- Flare-Nut Tool Set (Not Shown)
- Hex Head Allen Wrench Sets (Metric and Imperial)
- Brazing Rods and Brazing Torch
- Outfit for AC Application (Not Shown)
- Brazing Flux
- Nitrogen Cylinder for Positive Pressure Leakage Check (Not Shown)
- Soap Bubble for Positive Pressure Leakage Check (Not Shown)
- Vacuum Pump for Negative Pressure Leakage Check
- Helium Refrigerant Minor Leakage Check (Not Shown)
- Manifold

3) Electrical Related Installation

- Wire Cutter
- Wire Stripper
- Sharp Plier
- Cable Ties
- Black Tape for Electrical Use
- Electrical Meter

4) Trial Running Units and Inspection

- Clamp Meter (Not Shown)
- Manifold
- Infra Thermometer (Not Shown)

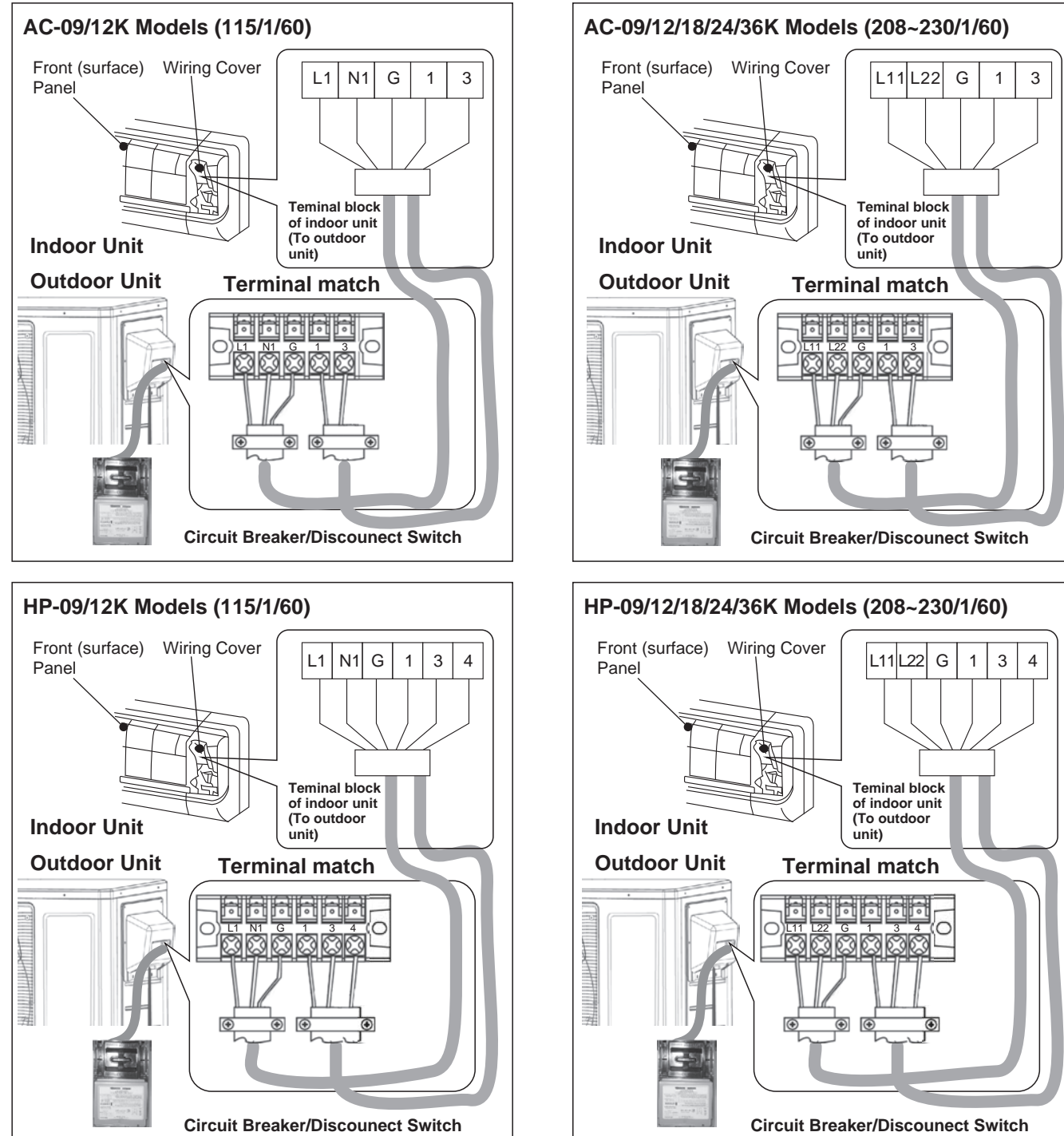


CONNECTION OF WIRES-SINGLE ZONE

WIRING AT INDOOR UNIT AND OUTDOOR UNITS

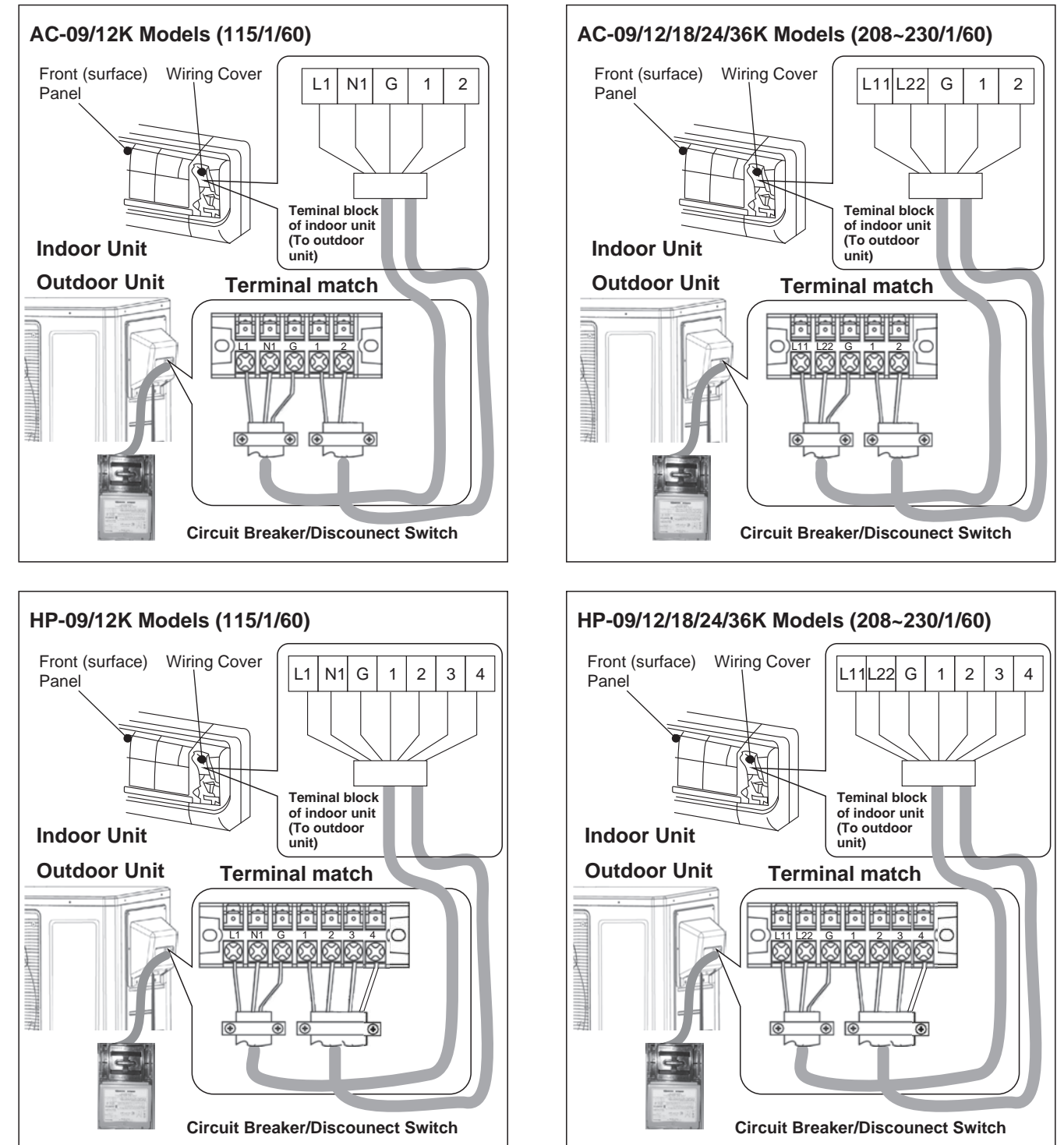
- * Open the front cover panel.
- * Remove screws from electrical box cover and put screws in secured position.
- * Remove screws from fastener and put screws in secured position.
- * Prepare wires of right size and grade.
- * Recommend to use factory-provided wire/cables.
- * Connected to the terminals following wiring diagrams (terminal or color matches).
- * Clamp power/control wires to the structure to keep the tension from being transmitted to the wire connection.
- * Replace screws or fasteners back to where they were.

1) For Products WMMS-M2 Series made after 05/2010



CONNECTION OF WIRES-SINGLE ZONE

- 2) For Products WMMS-M2 Series, made before 05/2010, Power L1/N1/G and L11/L22/G don't change, but control wires are 1/2 for AC, 1/2/3/4 for HP.



Notes:

- 1) Use UL-approved, minimum 90°C insulation, multi-stranded wires of enough AWG sizes (per MCA numbers, not total current numbers) good for outdoor applications.
- 2) Follow NEC codes for wire sizes (MCA, length, environment, temperatures, and so on).
- 3) Wire tightly at all connections. Secure wires to keep from any potential damages (nailing, pressing, piercing...)
- 4) Must be wired by licensed electricians only, following NEC codes and manufacturer instructions.

CONNECTION OF PIPES AND WIRES

PIPING AND WIRING SIZES-UNITS MADE AFTER 05/2010

Model	Liquid/ Gas Line	Min/Max. Length/ +/-Elevation	Power Wire Disconnect Switch Box to Outdoor Unit	Power/ Control Wire Outdoor to Indoor Unit	HVAC Circuit Breaker/Fuse AMP (to Outdoor Unit)
09K	1/4" & 3/8"	15/70/25/35	L1/N1/G, 115 or 230/1/60, 14/16AWG	AC:1/3, HP:1/3/4, 115 or 230/1/60, 16AWG	20/10, 25/20
12K	1/4" & 1/2"	15/70/25/35	L1/N1/G, 115 or 230/1/60, 12/14AWG	AC:1/3, HP:1/3/4, 115 or 230/1/60, 16AWG	25/10, 35/15
18K	3/8" & 5/8"	15/100/30/50	L11/L22/G, 208-230/1/60, 14AWG	AC:1/3, HP:1/3/4, 208~230/1/60, 16AWG	20, 25
24K	3/8" & 5/8"	15/100/30/50	L11/L22/G, 208-230/1/60, 12AWG	AC:1/3, HP:1/3/4, 208~230/1/60, 16AWG	25, 30
30K	3/8" & 5/8"	15/100/30/50	L11/L22/G, 208-230/1/60, 10AWG	AC:1/3, HP:1/3/4, 208~230/1/60, 16AWG	30, 40
36K	3/8" & 5/8"	15/100/30/50	L11/L22/G, 208-230/1/60, 8AWG	AC:1/3, HP:1/3/4, 208~230/1/60, 16AWG	35, 45

PIPING AND WIRING SIZES-UNITS MADE BY 05/2010

Model	Liquid/ Gas Line	Min/Max. Length/ +/-Elevation	Power Wire Disconnect Switch Box to Outdoor Unit	Power/ Control Wire Outdoor to Indoor Unit	HVAC Circuit Breaker/Fuse AMP (to Outdoor Unit)
09K	1/4" & 3/8"	15/70/25/35	L1/N1/G, 115 or 230/1/60, 14/16AWG	AC:1/2, HP:1/2/3/4, 115 or 230/1/60, 14AWG	20/10, 25/20
12K	1/4" & 1/2"	15/70/25/35	L1/N1/G, 115 or 230/1/60, 12/14AWG	AC:1/2, HP:1/2/3/4, 115 or 230/1/60, 14AWG	25/10, 35/15
18K	3/8" & 5/8"	15/100/30/50	L11/L22/G, 208-230/1/60, 14AWG	AC:1/2, HP:1/2/3/4, 208~230/1/60, 14AWG	20, 25
24K	3/8" & 5/8"	15/100/30/50	L11/L22/G, 208-230/1/60, 12AWG	AC:1/2, HP:1/2/3/4, 208~230/1/60, 14AWG	25, 30
30K	3/8" & 5/8"	15/100/30/50	L11/L22/G, 208-230/1/60, 10AWG	AC:1/2, HP:1/2/3/4, 208~230/1/60, 14AWG	30, 40
36K	3/8" & 5/8"	15/100/30/50	L11/L22/G, 208-230/1/60, 8AWG	AC:1/2, HP:1/2/3/4, 208~230/1/60, 14AWG	35, 45

Note:

- * The environment conditions must be taken into consideration when the connections of power cable are made (such as the ambient temperature, direct exposure to heat/direct exposure to sunlight).
- * The specifications for the power cable refer to the minimum values of the metal core wires, taking into consideration the voltage losses, the core wire of power cable must be one size larger than the specifications.
- * The grounding wire must be connected to the indoor units and outdoor units.
- * The laying of power cables must be done by qualified electricians and comply with the regulations of the local power supply authorities and with the standards of the electric appliance.

GET READY FOR INSTALLATION

MISC. ITEMS COMING WITH INDOOR UNIT

1	Mounting plate	1 Pcs.
2	Manuals (User/ Installation/ Wiring/ Diagram)	1 Set
3	Remote control	1 Pcs.
4	Battery	2 Pcs.
5	Drain spout for outdoor drain pan	1 Pcs.
6	Warranty registration card	1 Pcs.
7	QC Pass	1 Pcs.

OPTIONAL ACCESSORIES THAT ARE PACKAGED AND MAY BE SOLD SEPARATELY

1	Installation kit (copper line/wire/drain hose & others)
2	Power and control and or intercommunication cable
3	Foot rise or brackets for outdoor unit
4	Line set covers
5	Wind baffle

INSTALLATION LOCATIONS & CAUTIONS

- * The location and structure shall also be convenient for both installation and service.
- * The location shall NOT be where discharge air and noise could bother your neighbor.
- * The location shall NOT be somewhere drain may cause any damage to property or bother the neighbor.
- * The location shall NOT be somewhere soldering or torching work may cause fire or smoke to the materials around.
- * The location shall NOT be somewhere near flammable gases.
- * The location shall NOT be in or close to corrosive gases.
- * The location shall NOT be somewhere children can access.

CAUTION All Units Shall Be Installed by Licensed Contractor or Technician.

CAUTION Read Manuals before Installation.

CAUTION & SUGGESTIONS TO FOLLOW PRIOR TO INSTALLATION

Check the unit for damage and missed parts or accessories. If damage is found or parts are found missing, call the distributor right away.

Spin fan wheels or blades to check if and make sure they can rotate freely. If fan wheel scratches with housing, call the distributor right away and do not to proceed with the installation before it is fixed.

Check the unit to make sure no foreign materials has been left in the unit.

Check all the parts and accessories that are needed other than those provided with the unit. It is strongly recommended to only use YMGI supplied or recommended parts and accessories.

Be sure a properly sized circuit breaker is for the electric power to the units.

Pre-build the support platform on the ground or bracket for the wall before or during construction and before installation. Refer to the table below for footprint dimensions.

Read installation instructions of all units thoroughly.

Ask rep./distributor/us anything you are not sure about.

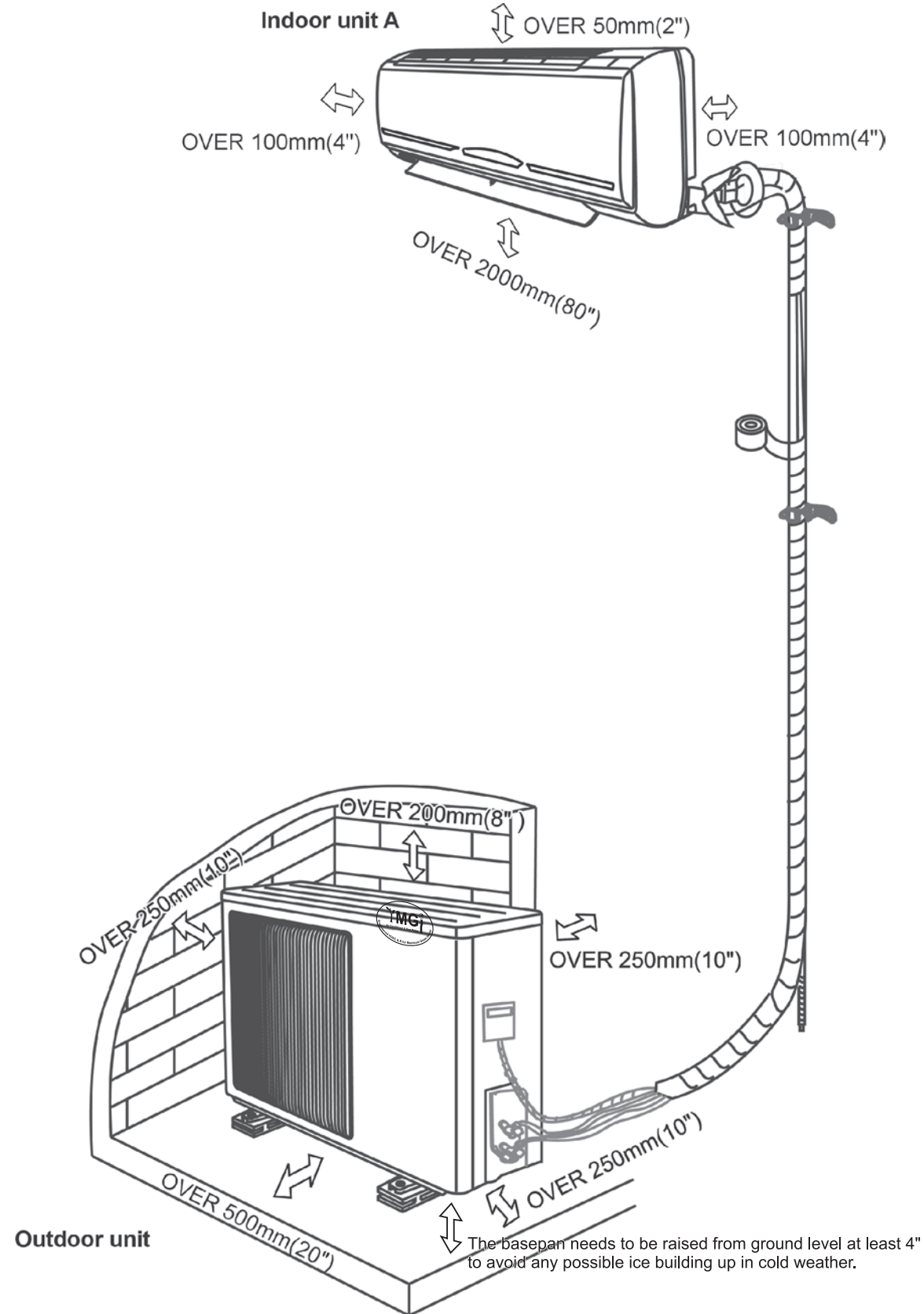
Get your tools and parts ready for installation.

INSTALLATION POSITIONS FOR OUTDOOR UNIT

- * To be installed at the position where the air delivered from the unit can reach every corner of the room.
- * To avoid being affected by the outdoor air.
- * To avoid blockage to the air inlet or outlet of the unit.
- * To avoid too much oil smoke or steam.
- * To avoid possible generation, inflow, lingering or leakage of flammable gases.
- * To avoid high-frequency facilities (such as high frequency arc welders, etc.).
- * To avoid the places where acid solutions are frequently used.
- * To avoid the places where some special sprayers (sulfides) are frequently used.
- * Not to install on top of the musical instruments, TV, computer etc. valuable appliance.
- * Not to install a fire alarming device near the air outlet of the unit (during operation, the fire alarm device might be erroneously triggered by the warm air from the unit).

SYSTEM LAYOUT & INSTALLATION CLEARANCE

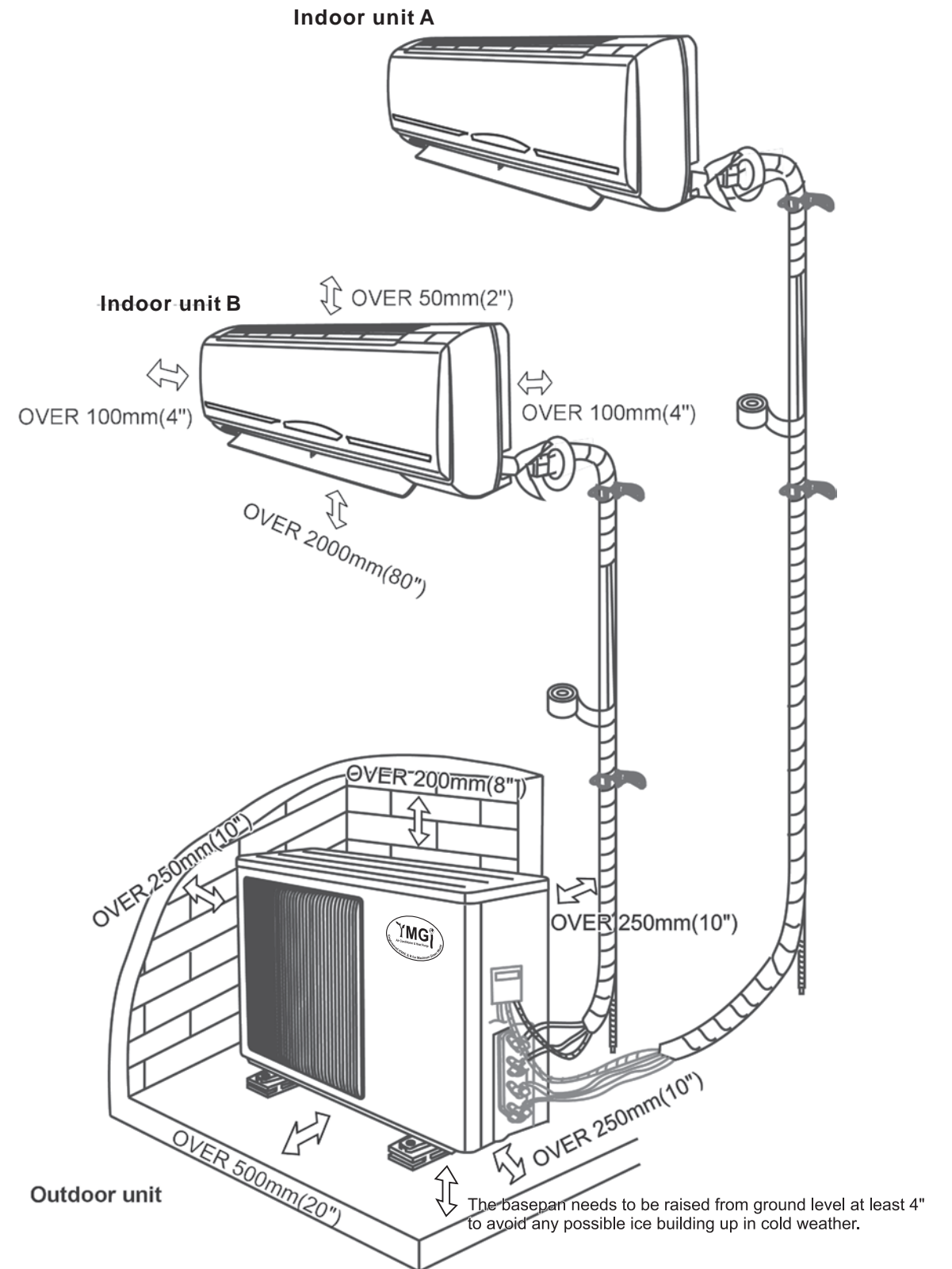
CLEARANCE REQUIRED AROUND UNITS-SINGLE ZONE



INSTALLER'S INSTRUCTION

SYSTEM LAYOUT & INSTALLATION CLEARANCE

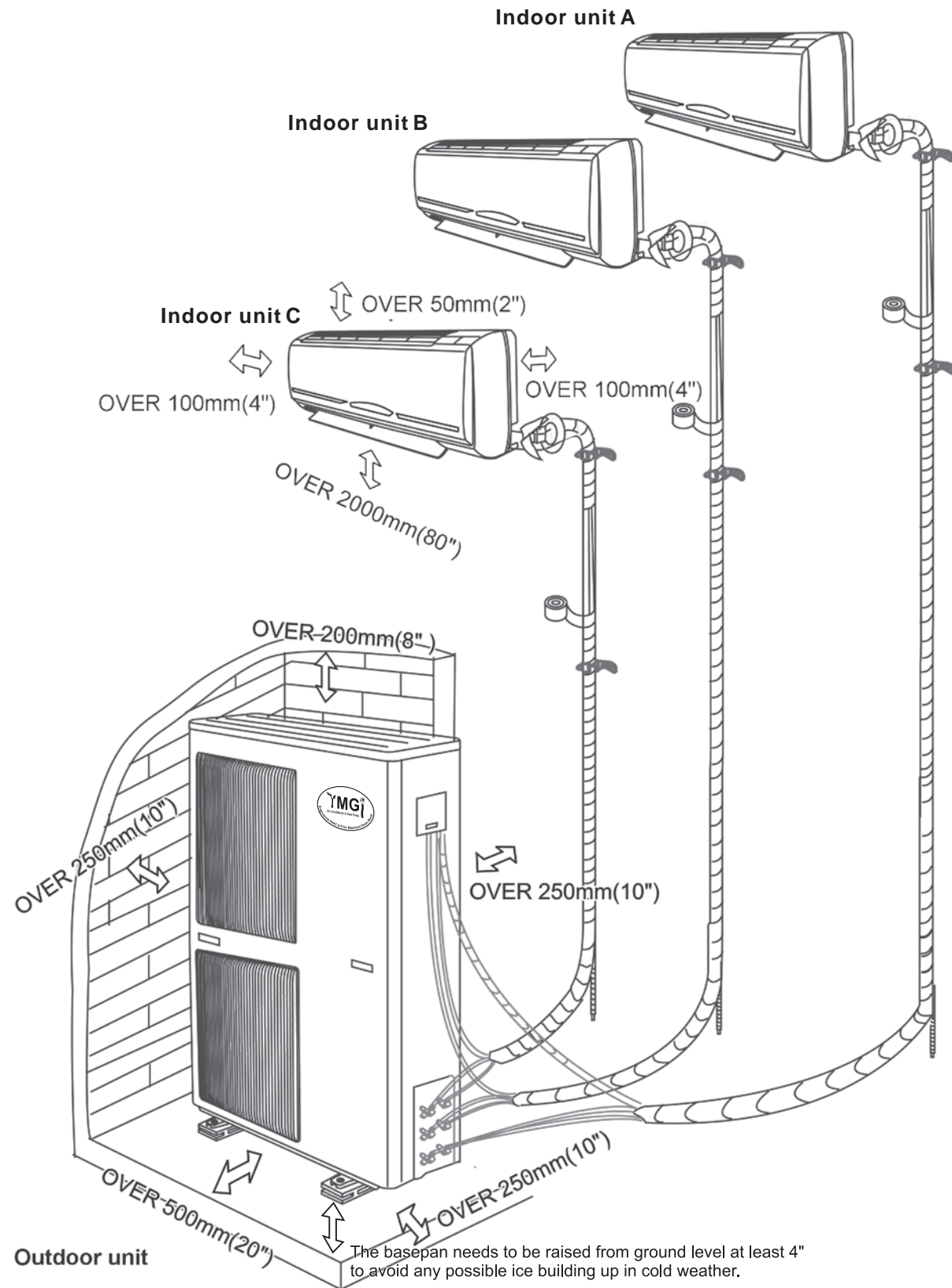
CLEARANCE REQUIRED AROUND UNITS-DUAL ZONE



INSTALLER'S INSTRUCTION

SYSTEM LAYOUT & INSTALLATION CLEARANCE

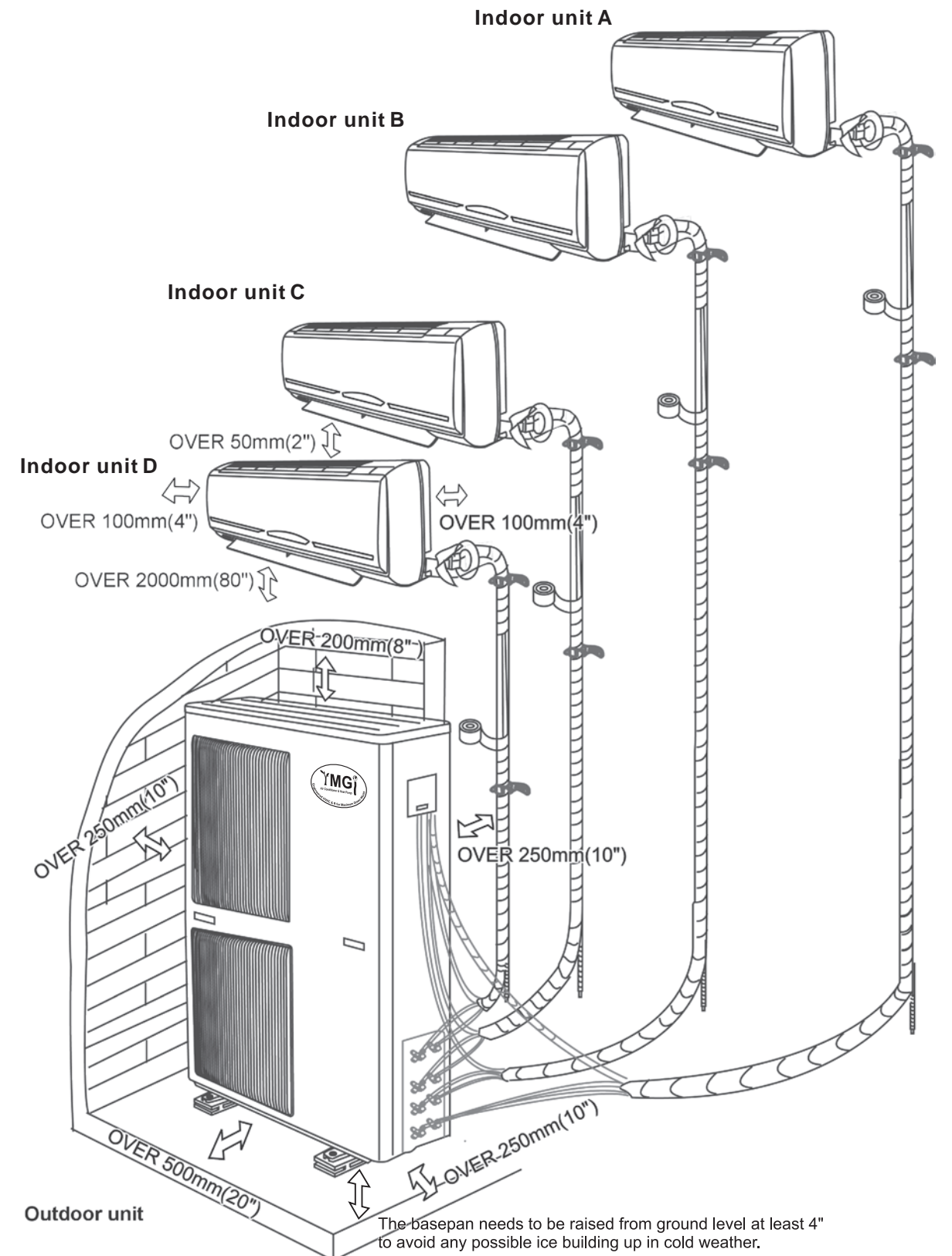
CLEARANCE REQUIRED AROUND UNITS-TRIPLE ZONE



INSTALLER'S INSTRUCTION

SYSTEM LAYOUT & INSTALLATION CLEARANCE

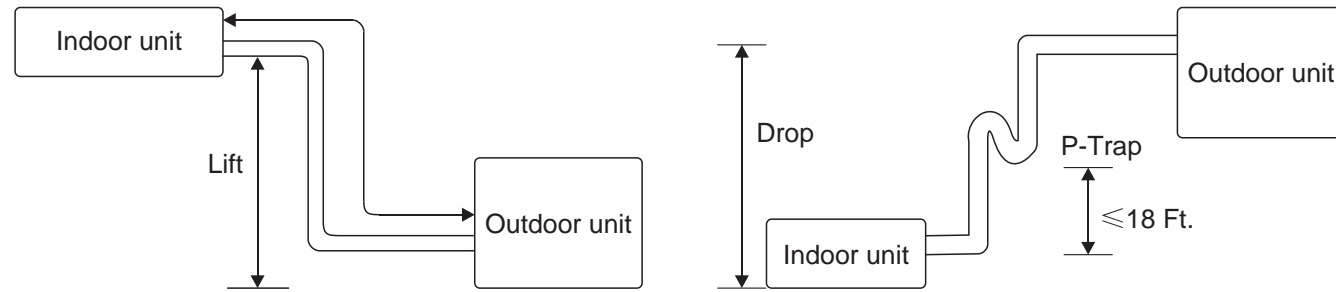
CLEARANCE REQUIRED AROUND UNITS-QUAD ZONE



INSTALLER'S INSTRUCTION

HEIGHT LIMITS OF INDOOR AND OUTDOOR UNITS

- * Either the indoor unit or the outdoor unit can be higher, but the height difference must comply the stated requirements.
- * Try to reduce the bending of the piping line as much as possible so as to avoid possible negative impacts upon the performances of the units.
- * Make P-trap if elevation drop difference is more than 25", as illustrated below.



Refrigerant Pipe Min/Max. Length, Rise and Drop Height

1,000 Btu/h	Min. Length (Ft.)	Max. Length (Ft.)	Max. Rise Height (Ft.)	Max. Drop Height (Ft.)
09-12	15	50	20	28
18-24	15	75	25	35
30-36	15	100	35	50

INSTALLATION-INDOOR UNIT

INSTALL WALL MOUNT PLATE

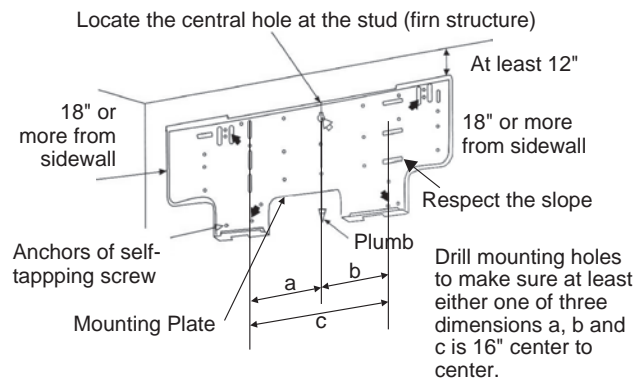
- * Check unit to make sure the unit is good shape and ready to install.
- * Check to make sure the installation location is firm enough to hold the weight of the whole unit and is convenient to installation, maintenance, service and close to the indoor unit but not causing noise or airflow issues to neighbour.
- * Install Indoor unit. Enough anchor bolts/nuts shall be used to secure mounting plates for indoor units. Brackets should be at level position.

Install Mounting Plate and Drill Hole for Combination of Copper Line/Wire Cable/Drain Hose

NOTES:

Anchors must be put into the holes, where the solid arrows are pointing, as shown above, to secure the mounting plate firmly and to hold the weight of indoor unit. If more screws/anchors are to be used, make sure to keep the two holes close to each other, at least 2 inches apart.

Mounting plate should be attached to the structural part of the wall. Minimum clearance, as shown below, is required in order to ensure proper airflow and enough service room.



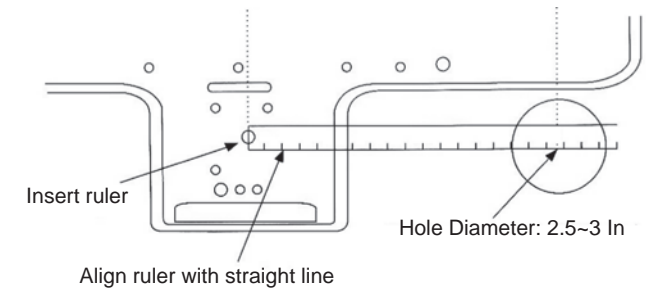
STEPS TO MOUNT PLATE:

- Mark drill positions. At least 4 anchor holes, one at each perimeter corner of the plate are needed to secure the plate, where the bold arrows are pointing, as shown in the picture above. Refer to the specification sheet for unit weight so that enough anchors are installed at proper positions.
- Pre-drill guiding holes where are marked for anchors or screws on the wall
- Confirm the position of the holes and finish drill to the depth needed for anchors (NOT for screws)
- Align mounting plate holes with those holes drilled on the wall and put anchors or screws into the holes to secure mounting plate.

INSTALLATION-INDOOR UNIT

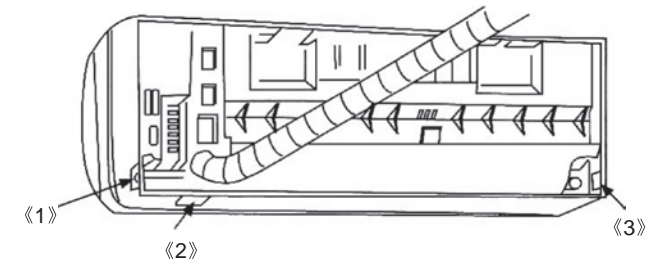
DRILL 3IN HOLE FOR PIPING/WIRING/DRAIN

- Locate the centre where the hole will need to be drilled.
- Drill the holes of 2.5-3Inch diameter. A down pitch about 1/4" per foot, as illustrated below, is needed for the hole, in order to drain the condensate properly.



PREPARE INDOOR UNIT- COPPER LINE SET/DRAIN HOSE

- If pipes need to come out of the right side (facing the front of indoor unit) of the indoor unit, snap off portion «1» on plastic casing.
- If pipes need to come out of the bottom side (facing the front of indoor unit) of the indoor unit, snap off portion «2» on plastic casing.
- If pipes need to come out of the left side (facing the front of indoor unit) of the indoor unit, snap off portion «3» on plastic casing.



PREPARE INDOOR UNIT- COPPER LINE SET/DRAIN HOSE

- If pipes need to be rerouted to a different direction from the one preset at factory (towards left side, if facing the front cover of indoor unit), lay down the indoor unit on soft cushion or foam. Don't rub the plastic casing.
- In order to keep from pipe damage, need to bend the copper tubing set gently and slowly (finish bending no less than 10 seconds/90 degree), by holding at the root of the original 90 degree bend nicely and firmly. Don't rub two copper lines during bending. Better to cut off the insulation and bend the two pipes one by one, not two together.

- If pipes need to come out of the rear side (facing the front of indoor unit) of the indoor unit, no need to snap off anything.



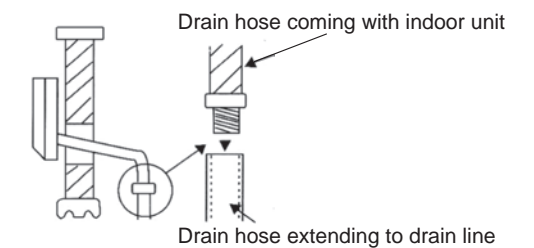
Slice the insulation before bending.

Hold the 90 degree bend root, bend one tube one time, slowly, no quicker than 10 seconds/90 degree bend.

INSTALL DRAIN PIPE AT INDOOR

- The drain hose must be placed beneath the copper pipes and MUST NOT be hunched or bended sharply.
- Do not pull the drain hose too hard, otherwise it may get broken.
- Before passing drain hose through the hold, wrap with insulation to keep from possible damage.
- The copper pipe and the drain hose must be wrapped by piping wrap.

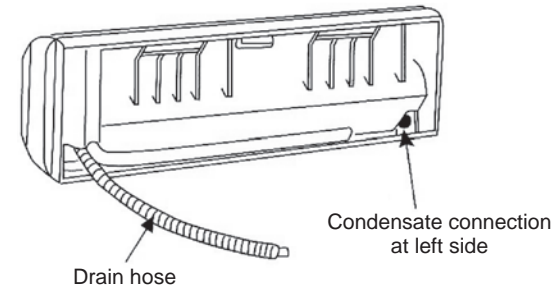
- Insulation pad (underlay) should be used where the pipe contacts the wall.



INSTALLATION-INDOOR UNIT

REFIT DRAIN HOSE FROM THE RIGHT TO THE LEFT SIDE

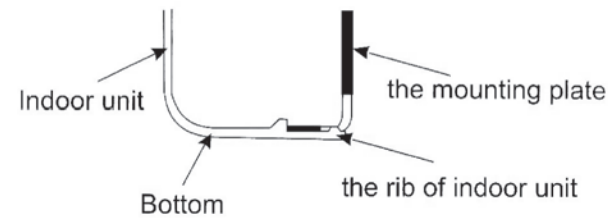
- If drain hose needs to be refitted from the original position (right side) to left side of the indoor unit, careful handling is very necessary.
- Refitting method: remove the drain hose from original position, without breaking hose. Unplug the plug at the left side. Apply water-resistant glue to fit the drain hose and the fitting before securing it.
- Apply water-resistant glue onto the plug and fit it back into the condensate connection at right side.



NOTES: May use some sort of clamp to double secure connections.

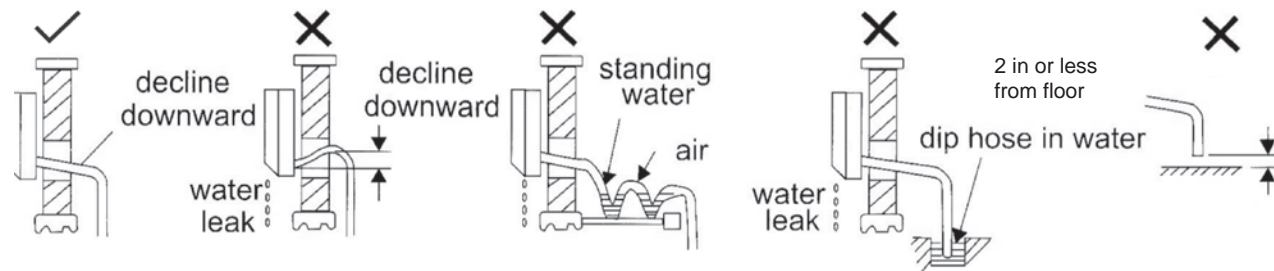
HANG INDOOR UNIT

- Run copper set/wire cables/drain hose through the wall hole and hang the indoor unit onto the mounting plate (place the hook on the mounting plate into the hanging rib at rear side of plastic casing).
- Snap the plastic casing bottom into the mounting plate, gently.



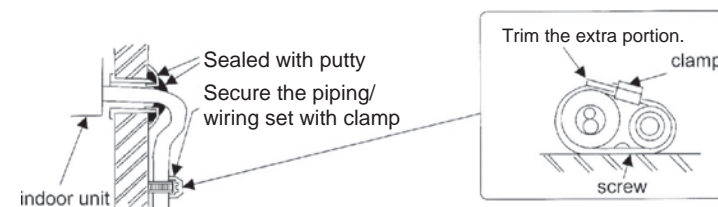
SHAPE THE DRAIN HOSE

- To drain the condensate easily, the drain hose should be inclined downward (pitched towards drain direction 1/4" per foot).
- Figures below from the 2nd to 5th show some incorrect practices.
- Drain hose may be extended using the hose coming with the installation list.



STUFF AND SEAL THE HOLE FOR COPPER LINE SET/WIRE CABLE/DRAIN HOSE

- Use putty to seal the wall hole.
- Use clamp (pipe fastener) to secure the pipe at specified position.

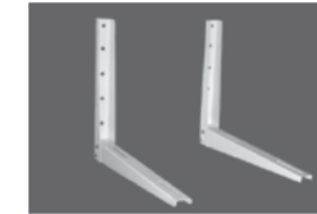
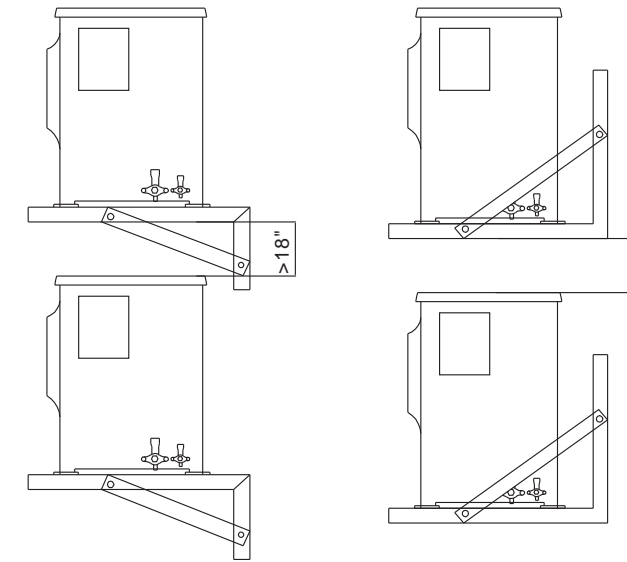


INSTALLATION-OUTDOOR UNIT

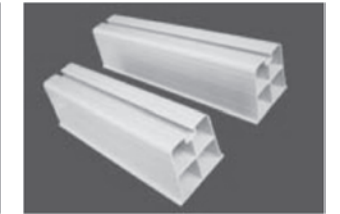
INSTALL OUTDOOR UNIT

Strongly suggest to install the outdoor unit above the ground either on platform or brackets as shown below. Heat pump unit must be lift up from ground level, since condensate must be drained out of the drain pan in condensing unit; otherwise, condensate may be iced up to damage the condensing unit.

Suggest to use YMGI-provided brackets and condensate drainage fitting accessories.



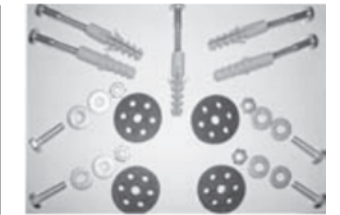
Brackets



Heavy-Duty PVC Riser



Coated Brackets
W Accessories



Bracket Accessories

(Actual unit/parts looking/installation may vary from the illustrated)

INSTALLATION & PICTURES-WALL MOUNT BRACKET FOR OUTDOOR UNIT(S) (PART VARIES UPON MODELS/AVAILABILITY)

- Select a secured location where the outdoor unit will be installed properly.
- Orient the unit rear side (intake grill) towards wall and front side (discharge grill) away from wall.
- For ground installation, use factory-provided riser and accessories. Not to bolt unit feet directly onto ground. Riser or brackets shall be levelled at outdoor unit foot surfaces. Secure unit foot by tightening bolts, nuts and anti-vibration pads.
- For wall mount installation, use factory-provided brackets, anchors and accessories.

WIRING OUTDOOR UNIT

CONNECT WIRING BETWEEN OUTDOOR UNIT AND INDOOR UNIT

- Check the nameplate for rated electrical data.
- Check power and wire length and sizes. Use NEC, 105°C/221°F type copper wire. Refer to the following tables, for proper selection of wire gauge and colour.

OUTDOOR WIRING: OUTDOOR-INDOOR UNIT & DISCONNECT SWITCH BOX/CIRCUIT BREAKER/FUSE

- Remove the wiring diagram cover where also the handle for moving unit is located.
- Follow the wiring diagrams on the unit or the wiring diagram manual that comes with the indoor unit to get familiar with wiring and make sure nothing is made wrong. If there is any discrepancy, always use the one put in the units.
- Connect wires between indoor unit and outdoor unit-power wire from outdoor to Indoor, control wires from Indoor unit to outdoor unit. Pass wire through certified wire pipes, harnesses and knockouts. Enough length shall be left for future service. Only copper wire is allowed.
- Strictly follow NEC or state or local codes to select wires, circuit breaker, conduits and to perform installation work.
- Bring in line-voltage power input wires from circuit breaker to line-voltage wire terminal block at outdoor unit. Pass through certified wire pipes, harnesses and knockouts. Enough length shall be left for future service. Only copper wire is allowed.



Disconnect switch box for outdoor unit



(Field-Supplied, Not Spliced and Not Knotted, Water-Proof Sealed Tight, UL Approved)

PIPING AND WIRING SIZES-UNITS MADE AFTER 05/2010

Model	Liquid/ Gas Line	Min/Max. Length/ ±-Elevation	Power Wire Disconnect Switch Box to Outdoor Unit	Power/ Control Wire Outdoor to Indoor Unit	HVAC Circuit Breaker/Fuse AMP (to Outdoor Unit)
09K	1/4" & 3/8"	15/70/25/35	L1/N1/G, 115 or 230/1/60, 14/16AWG	AC:1/3, HP:1/3/4, 115 or 230/1/60, 16AWG	20/10, 25/20
12K	1/4" & 1/2"	15/70/25/35	L1/N1/G, 115 or 230/1/60, 12/14AWG	AC:1/3, HP:1/3/4, 115 or 230/1/60, 16AWG	25/10, 35/15
18K	3/8" & 5/8"	15/100/30/50	L11/L22/G, 208-230/1/60, 14AWG	AC:1/3, HP:1/3/4, 208-230/1/60, 16AWG	20, 25
24K	3/8" & 5/8"	15/100/30/50	L11/L22/G, 208-230/1/60, 12AWG	AC:1/3, HP:1/3/4, 208-230/1/60, 16AWG	25, 30
30K	3/8" & 5/8"	15/100/30/50	L11/L22/G, 208-230/1/60, 10AWG	AC:1/3, HP:1/3/4, 208-230/1/60, 16AWG	30, 40
36K	3/8" & 5/8"	15/100/30/50	L11/L22/G, 208-230/1/60, 8AWG	AC:1/3, HP:1/3/4, 208-230/1/60, 16AWG	35, 45

CONNECT REFRIGERANT PIPES BETWEEN INDOOR AND OUTDOOR UNITS

Firstly, connect copper tubes at indoor unit. Bend pipes by tools but not by hands. Extra length is needed for future service.

REFRIGERANT PIPES:

For distance other than 25' between indoor and horizontal venting condensing units, refer to the following table for copper sizes.

Refrigerant Valve and Pipe Size/Length

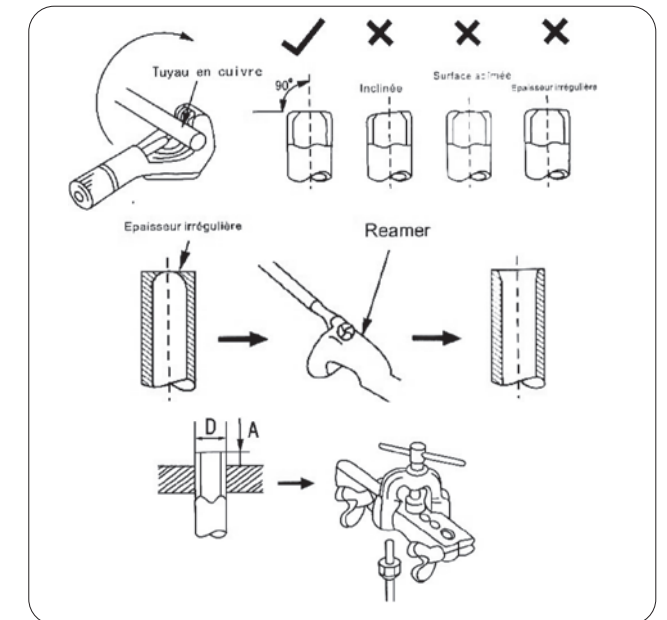
K	Valve Size	Line Sizes at Different Length	
		15-30ft	31-60ft
09	1/4", 3/8"	1/4", 3/8"	1/4", 1/2"
12	1/4", 1/2"	1/4", 1/2"	1/4", 5/8"
18	3/8", 5/8"	3/8", 5/8"	3/8", 3/4"
24	3/8", 5/8"	3/8", 5/8"	3/8", 3/4"
30	3/8", 5/8"	3/8", 5/8"	3/8", 3/4"
36	3/8", 5/8"	3/8", 5/8"	3/8", 3/4"

CUT REFRIGERANT PIPE:

Make sure the pipe section where is to be cut is straight and smooth. Apply cutting blade straightly perpendicular to the pipe surface. Don't cut too fast or too hard. Turn and tighten the tube cutter slowly. Remove residual left at the cutting edge. The cutting edge should be clear and clean and smooth.

Running Interconnection Refrigerant Lines:

Use clean refrigeration grade of copper tubing only. Keep the copper lines from kinking and transmitting noise to walls, cabinets, etc. Not to exceed 100' with 35' of vertical lift included. Insulate the suction line with at least 3/8" thick insulation tubes. Band and tape and secure refrigerant lines. Support copper lines at proper distance apart to keep tubes from sagging.



CONNECT REFRIGERANT PIPES

Refrigerant Pipe Min/Max. Length, Rise and Drop Height

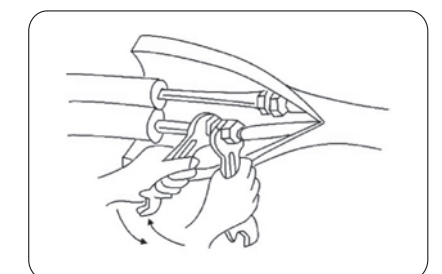
1,000 Btu/h	Min. Length (Ft.)	Max. Length (Ft.)	Max. Rise Height (Ft.)	Max. Drop Height (Ft.)
09-12	15	50	20	28
18-24	15	75	25	35
30-36	15	100	35	50

Connect Copper Pipes-Flare/nut Connection at Both Indoor and Outdoor Units

Proper torque shall be applied to make good connection at female nut, flare and male nut, as recommended in the following table. Too much torque may damage and break flare/nut seal. Too less torque may not ensure good seal. ALWAYS use a pair of wrenches.

Refrigerant Pipe Flare/Nut Connection Tightening Torque

Flare Nut	Tightening Torque
1/4-3/8"	25 Ft. LBs (350 Kgf.cm)
1/4-1/2"	40 Ft. LBs (560 Kgf.cm)
1/2-3/4"	60 Ft. LBs (840 Kgf.cm)
7/8-1 1/8"	110Ft. LBs (1540 Kgf.cm)

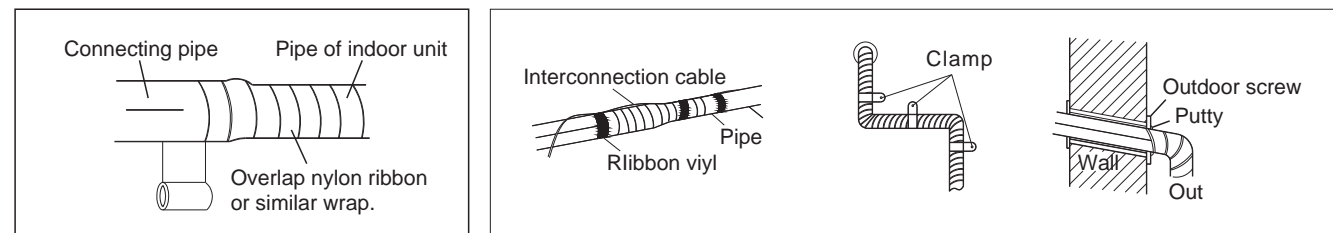
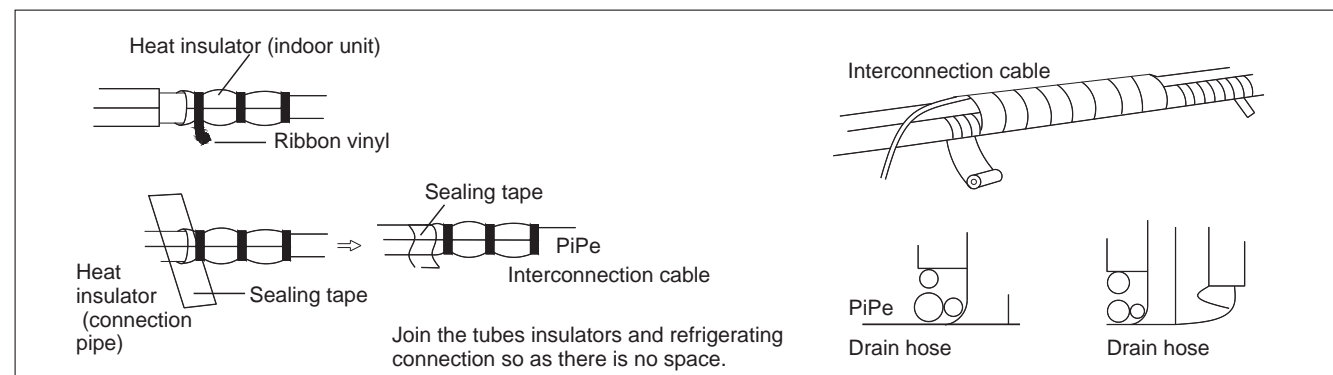


Connect Copper Pipes-Sweat Connection

In this case, put wet rag to protect valves or other components from being overheated. When using flux, rub the tube surface using steel wool to shine and clean to dry as so to keep to-be-sealed system from any possible contamination.

CONNECT REFRIGERANT PIPES BETWEEN INDOOR AND OUTDOOR UNITS

Seal Copper Line Set/Wire Cable/Drain Hose Line Combination



- * Run cables along with the refrigerating copper line sets and secure them with tapes at 6 feet apart.
- * Wrap tape closely (cover a third of the width of the nylon ribbon tape applied early) to get good seal.
- * Tape to seal the end of taping.
- * Shape the pipe combination gently, without causing kinking, sharp bending, or other damage to it.
- * Fix the pipe combination securely on the external wall with proper clamps, as drafted below, at 6 feet apart.
- * Fill the gap between the wall hole and wall sleeve with putty to keep from rain or dust getting inside.

PIPING GUIDE

To keep the allowed bending radius, please make the packed soft pipes vertical for expanding.			Please do not expand only one side of the packed soft pipes.
Please make use of semicircle pulley to keep the allowed bending radius.			Extremely bending could damage the pipes.
Please use twisting wheel to avoid improper bending.			Over length soft pipes will lead to irregular bending.
Please use rigid elbow to keep the bending radius while soft pipes operating.			Undersize bending will damage the soft pipe.
Please keep the minimum bending radius while installing.			Short soft pipes will have them bending undersize, it's not allowed.

INSTALLATION OF ACCESSORIES

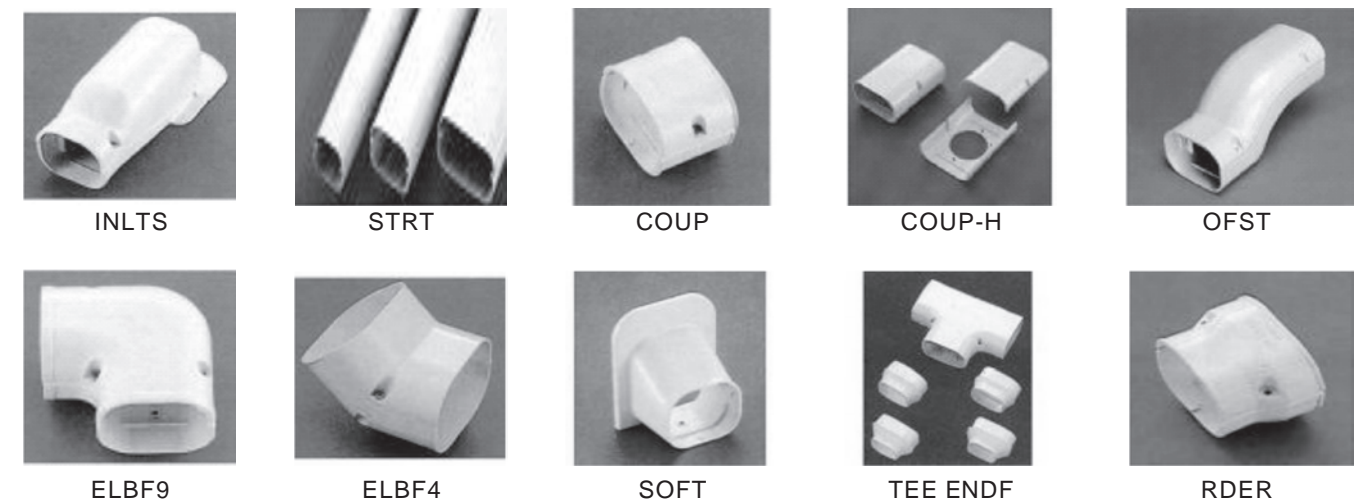
CONNECT REFRIGERANT PIPES

Seal Copper Line Set/Wire Cable/Drain Hose Line Combination:

- * Use factory-recommended components, as briefly illustrated below.
- * Cover line set in a sequence, either from indoor to outdoor, or the other way.
- * Secure line set covers onto the wall using factory-recommended accessories.

LINESET COVERS

CAUTION Not to damage line sets.

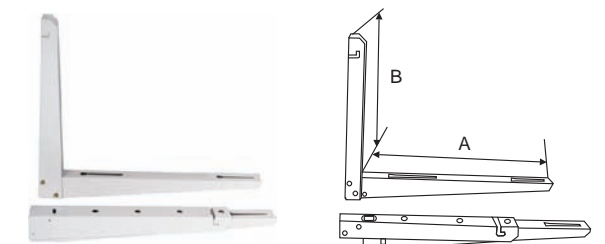


OUTDOOR UNIT FOOT RISER OR BRACKETS

BRKT-SC1

- * Made of sturdy steel.
- * Painted with weatherproof polyester powder.
- * Anchors/nuts/screws (general use) may be included.

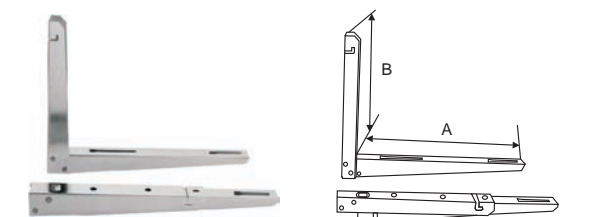
Model	Size(Inch)		Capacity	
	A	B	LBs	Btu/h
BRKT-0912-SC1	17.7	13.8	158	09K-12K
BRKT-1824-SC1	21.7	17.7	220	18K-24K
BRKT-2430-SC1	21.7	17.7	264	24K-30K
BRKT-3660-SC1	22.4	21.7	396	36K-60K



BRKT-ST1

- * Made of stainless steel.
- * Anchors/nuts/screws (general use) may be included.

Model	Size(Inch)		Capacity	
	A	B	LBs	Btu/h
BRKT-0912-ST1	17.7	13.8	158	09K-12K
BRKT-1824-ST1	21.7	17.7	220	18K-24K
BRKT-2430-ST1	21.7	17.7	264	24K-30K
BRKT-3660-ST1	22.4	21.7	396	36K-60K

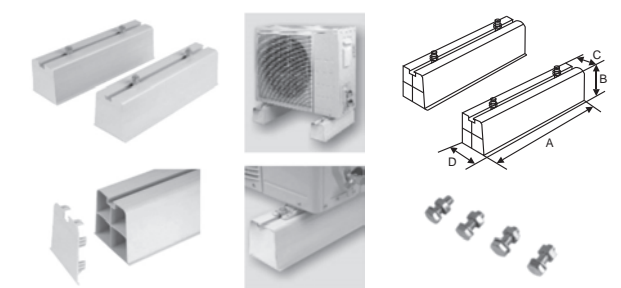


RIST-PVC

Ground Riser Accessories: End Caps (Optional)

- * Shock-proof PVC, Weatherproof & UV resistant.
- * Supplied with fastening screws and anchor bolts.
- * Easy and quick to install on any ground surface.
- * The "honeycomb" structure acts as an anti-vibration & humming absorption for a quite operation.

Model	Size(Inch)				Capacity	
	A	B	C	D	LBs	Btu/h
RIST-0912-PVC	14.2	3.7	3.1	4.1	158	09K-18K
RIST-1860-PVC	17.7	3.7	3.1	4.1	220	18K-60K

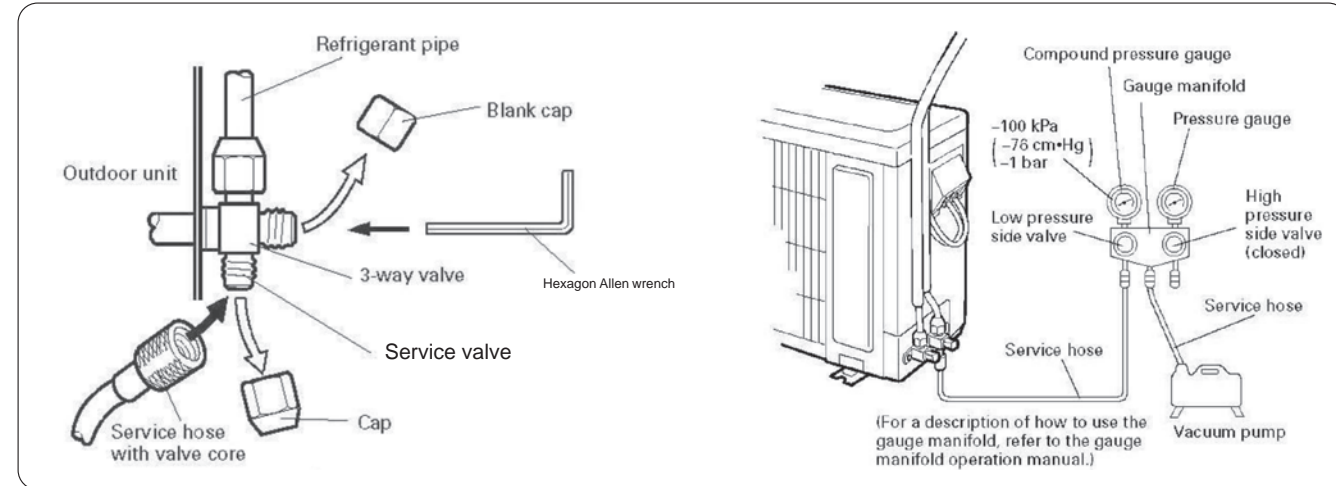


VACUUM AND LEAKAGE CHECK

VACUUM REFRIGERANT PIPES

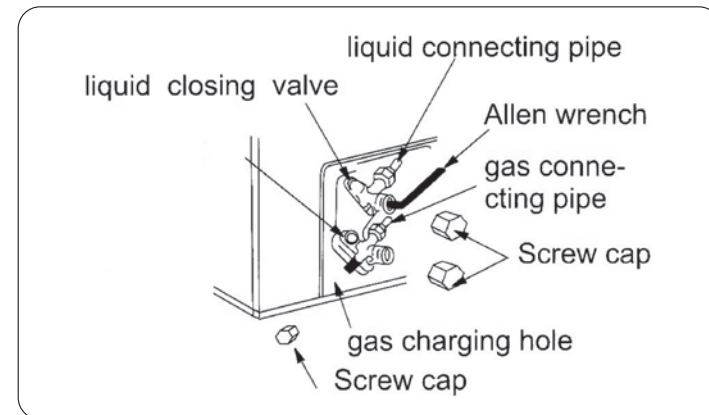
Evacuate the pipes between indoor and outdoor units, using vacuum pump and manifold/gauge set, to a minimum of 500 microns (service valves remain front seated). Hold for 30 minutes to check if the vacuum level is maintained. Using dry nitrogen or other leakage detection tool for leak checking. Be certain there is no pressure in the system when repairing a leak.

Vacuum before Releasing Refrigerant from Outdoor Unit to Indoor Unit.



RELEASE REFRIGERANT FROM OUTDOOR TO THE INDOOR UNIT

Unit is pre-charged with refrigerant good for 25' of connection tubes. If vacuum is held for about 30 minutes and no leak is found, first back-seat the liquid (smaller) service valve by Allen Wrench (hex head) slowly to release pre-charged refrigerant from the condensing unit into the connection pipes and indoor unit. If no abnormal things are found, fully open liquid (smaller) and gas (bigger) service valves. Always replace and tighten the caps onto service valves.



Releasing Refrigerant from Outdoor Unit to Connected Pipes and Indoor Unit

SYSTEM INSPECTION AND TRIAL RUNNING

CHECK SYSTEM THOROUGHLY

Check system thoroughly to make sure the unit is ready for trial running: check wires and pipes and air intake and discharge and power and thermostat and others necessary components.

ADJUST REFRIGERANT

Adjust Refrigerant Charge by Tubing Size/Length: System charge could be adjusted per tubing size, length, driers, and evaporator coils. DON'T overcharge or undercharge. Repair or correct any deficiencies.

If the connecting pipe is longer than 25 ft, adjust refrigerant as needed:

- 1/4" liquid line unit-add or deduct 0.3 OZ/ft.
- 3/8" liquid line unit-add or deduct 0.4 OZ/ft.
- 1/2" liquid line unit-add or deduct 1.2 OZ/ft.

SYSTEM INSPECTION AND TRIAL RUNNING

PRESSURE CHECKING

System pressure checking is one of the basics to find out the status of system performance and diagnose any problems.

The following curves are only reference for system pressure checking. Actual pressures may vary upon many factors such as inter-connecting pipe length, refrigerant charge / leakage level, elevation difference between indoor unit and outdoor unit, tool calibration, reading error, and so on.

Reference Temperature-Pressure Table (Split Condensing Unit-R410A AC)
Product Series: YMGI Group-Mini Split Version: 01/11/2010

Outdoor Dry-Bulb (F)	15	25	35	50	55	60	67	75	82	90	95	100	105	110	115
Outdoor Dry-Bulb (C)	-9.4	-3.9	1.7	10.0	12.8	15.6	19.4	23.9	27.8	32.2	35.0	37.8	40.6	43.3	46.1
Outdoor Wet-Bulb (F)	13.6	23.0	30.2	42.8	46.9	51.1	59.5	66.6	64.9	71.2	75.0	79.0	82.9	86.9	90.7
Outdoor Wet-Bulb (C)	-10.2	-5	-1.0	6.0	8.3	10.6	15.3	19.2	18.3	21.8	23.9	26.1	28.3	30.5	32.6
Indoor Dry-Bulb	80F (26.7C)														
Indoor Wet-Bulb	67F (19.4C)														
Discharge-PSI/F	74/21.2	84/27.1	105/35.1	115/38.5	125/42.8	130/45.5	140/48.2	146/51.2	156/54.3	166/57.5	175/61.2	180/62.5	186/63.7	189/64.5	191/64.9
Suction-PSI/F	60/46.2	70/53.5	85/55.2	92/55.7	98/56.1	103/56.7	110/56.9	115/57.1	120/57.5	128/57.8	135/57.9	136/58.6	137/59.1	139/59.3	140/59.5

Suggest to Add on Low Ambient Control, If Still in Need of AC for Long Time In Cold Weather. Closely Check/Watch Refrigerant Charge Level.

Reference Temperature-Pressure Table (Split Condensing Unit, R410A-Heat Pump)
Product Series: YMGI Group-Mini Split System Version: 01/11/2010

Outdoor Dry-Bulb (F)	0	5	10	17	25	30	35	40	45	47	55	62
Outdoor Dry-Bulb (C)	-17.8	-15	-12.2	-8.3	-3.9	-1.1	1.7	4.4	7.2	8.3	12.8	16.7
Outdoor Wet-Bulb (F)	-0.8	4.1	8.8	15	22.8	27.5	28.9	36.3	41.0	43.0	50.4	56.5
Outdoor Wet-Bulb (C)	-18.2	-15.5	-12.9	-9.4	-5.1	-2.5	-1.7	2.4	5	6.1	10.2	13.6
Indoor Dry-Bulb	70F (21.1C)											
Indoor Wet-Bulb	60F (15.6C)											
Discharge-PSI/F	260/84	269/90	284.5/95	290/102	296/111	304/128	304/133	330/138	345/142	354/149	400/149	440/176
Suction-PSI/F	246/72	255/78	270/86	278/89	285/92	290/95	310/98	318/100	330/102	340/104	380/107	425/113

Warning:

R410A refrigerant bears higher pressures than R22. Only handled by Licensed HVAC technician.

LED DISPLAY PANEL

Display Signs:

- Once powered on, displays indoor temperature at idle status; displays set temperature during setting temperatures in COOLING mode and HEATING mode; displays indoor temperature at other modes or features.
- At TIMER ON or OFF, other than TIMER sign is lit, SLEEP, COOLING, or HEATING sign will be lit, if set up TIMER ON or OFF for.
- When unit is in operation, LED will light up once the corresponding function is clicked on: COOLING, DUHUMIDIFICATION, FAN and HEAT.
- Fan speed is told by the speed of the FAN sign blade spinning. At fan stopping, FAN sign blade stops spinning; At DEFROST during HEAT mode, FAN sign blade stops spinning.
- Error signs

CENTER DISPLAY	TIMER/SLEEP LED	OPERATION LED	FAILURE
E2	Lit	Blinks, 2 Times/8 Secs.	Indoor temperature sensor failure
E3	Lit	Blinks, 3 Times/8 Secs.	Indoor coil tube temperature sensor failure
E4	Lit	Blinks, 4 Times/8 Secs.	System runs out of preferred design ranges

Remarks:

- Blink: lit for 0.5 sec., then off for 0.5 sec., then lit for 0.5 sec...

2.E4 Code:

* Outdoor ambient temperature is too low (do not to run unit during severe cold weather).

* Refrigerant at low level (users need to call service contractor to check unit).

- More error codes are listed in the table in page 36.

CHECK AFTER INSTALLATION AND TEST OPERATION

CHECK AFTER INSTALLATION

Items to be checked	Possible malfunction
Has the been unit positioned firmly?	The unit may drop, shake or emit noise.
Have you done the refrigerant leakage test?	It may cause insufficient cooling(heating) capacity.
Is heat insulation sufficient?	It may cause unexpected condensate and dripping.
Is drainage pipe tested ?	It may cause leakage or unexpect dripping.
Is the voltage in accordance with the rated voltage marked on the nameplate?	It may cause electric malfunction or damage to the part/unit.
Is the electric wiring and piping connection installed correctly and securely?	It may cause electric malfunction or damage to the part/unit.
Has the unit been connected to a secure earth connection?	It may cause electrical leakage.
Is the power cord specified properly per NEC codes ?	It may cause electric malfunction or damage to the part/unit.
Is the air inlet and outlet been cleared?	It may cause insufficient cooling(heating) capacity, and unexpected noise.
Has charge be adjusted to match the and refrigerant capacity been recorded?	The refrigerant unit noise, iced up overheat insufficient cooling or heating

TEST OPERATION

1) Before test operation

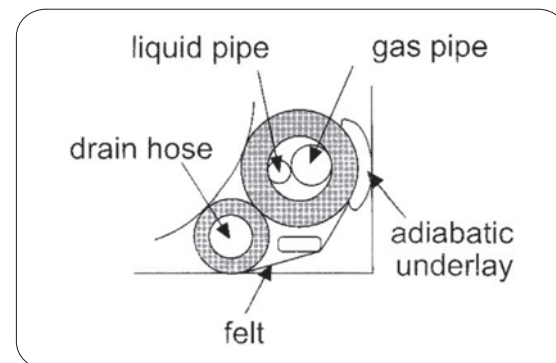
- Do not turn on power before installation is finished completely.
- Electric wires must be connected correctly and securely.
- Cut-off valves of the connection pipes should be back seated/tunned on.
- All the impurities such as scraps and thrums must be cleared out of the unit.

2) Test operation method

- Switch on power, press "ON/OFF" button on the wireless remote control to start the operation
- Press MODE button, to select the COOL, HEAT (not available for cooling only unit is), FAN and so on to check :
 - All the functions (to make sure the unit functions correctly and poroenty).
 - Refrigerant (pressures/temperatures at sericea values/pipes should be good).
 - Drainage (condensate/water flow should be dripping out of drainage pipe ONLY).
 - Noise (there should be no abnormal symbol)

FINISH INSTALLATION

- Put back all covers, screws removed during installation and start-up.
- Properly note, mark, organize and secure wires.
- Caulk the opening to weatherproof level at opening frame both inside and outside.
- Do a final visual inspection.
- Teach or instruct owner or users how to correctly operate the system and answer their questions.
- Check against all items in Product/Warranty Registration Card and sign it for the owner.

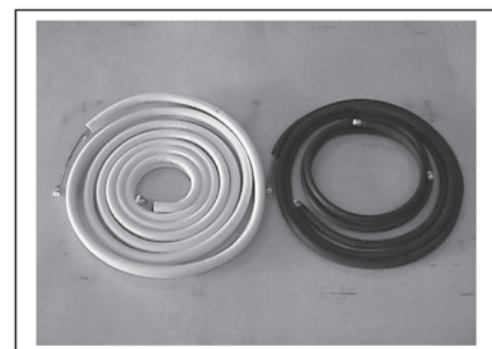
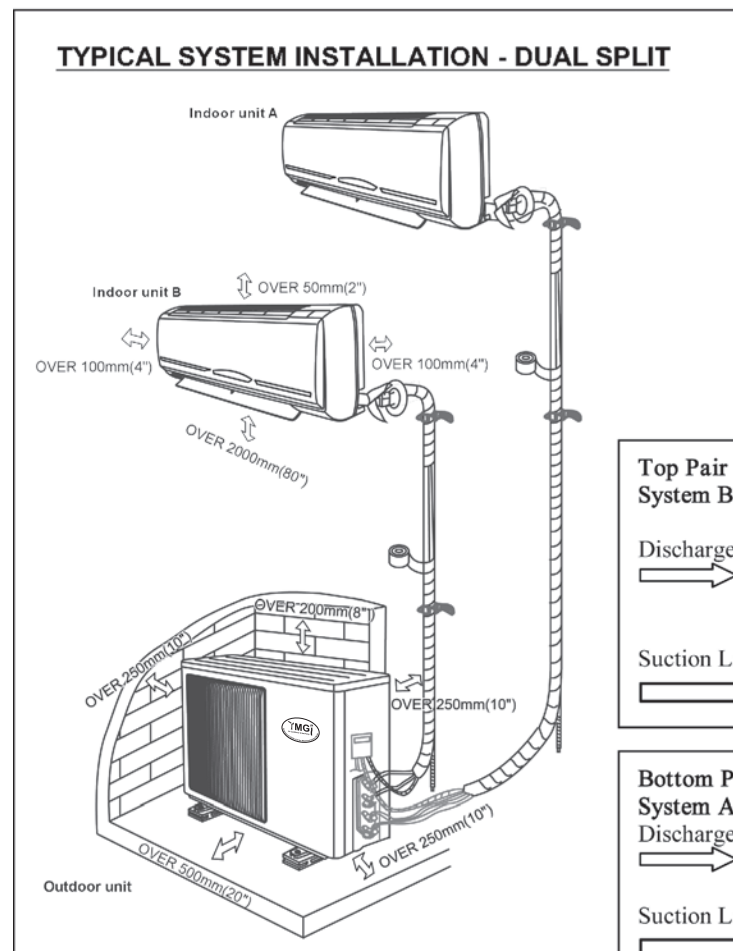


DIAGNOSIS CODE & TROUBLE-SHOOTING GUIDELINE

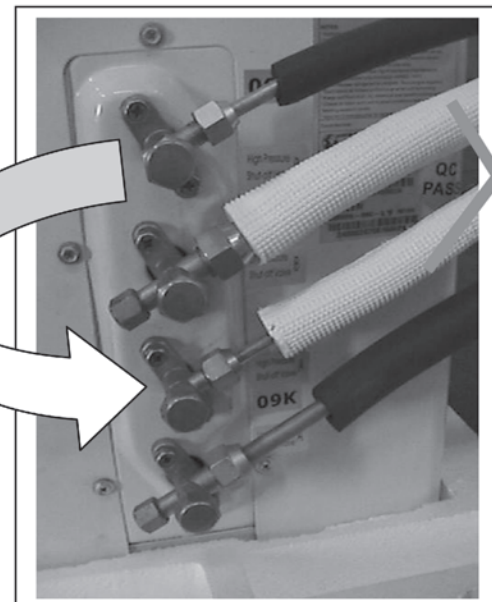
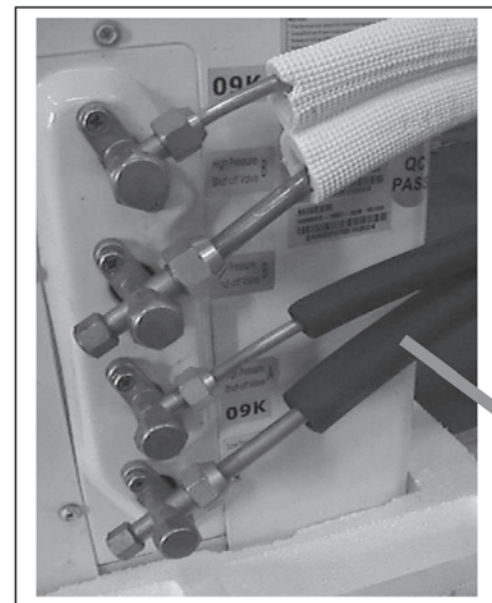
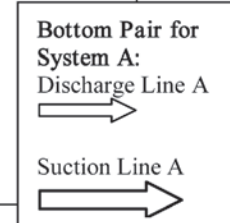
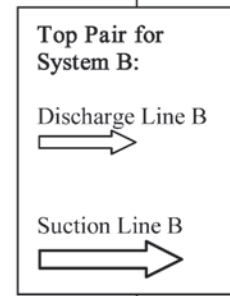
DIAGONSIS CODE, POSSIBLE CLAUSES, AND SUGGESTED ACTIONS TO USER AND TECHNICIAN:

Codes	Descriptions	Possible Reasons	Suggestion to User	Technician Trouble-Shooting
E1	Condensate Full in drain pan	Dain pan dirty, drain hose clogging, water level switch failure, loose connection, bad control board/ components, etc.	Check if drain hose is clogged; if not, need to call your installing or service technician.	1) Shut off power; 2) Follow possible clauses listed at the left, to check one by one;
E2	Indoor air temp. sensor failure	Bad temperature sensor; loose connection, damaged wires, bad control board/ components, etc.	Lift up grille/cover, to check if the sensor looks bad or drops out of holding socket/ pocket; or, to call installing or service technician.	3) To save time for quick diagnosis as much as possible, suggest your technician to make appointment with YMGI tech. support, and call us while the technician is at job site.
E3	Indoor coil copper tube sensor failure	Bad temperature sensor; loose connection, damaged wires, bad control board/ components, etc.		4) Better to check the unit, get problems and model model #, and serial # ready, before calling YMGI tech. support.
E4	Abnormal cooling	Dirty filters/coils, refrigerant leaks over time, pipe too long, kinks or clogging in pipe line or valves, pipe damage, sensor failure, compressor or board or other component failures, etc.		5) Need the technician physically, at the job site, use right tools and experience, to find all the clauses and correct or fix the problems and not to leave any bugs.
E5	Abnormal heating		1) Regularly check and clean indoor unit filters, indoor and outdoor coils. 2) The service valves at outdoor unit should be generally cool at cooling mode, hot at heating mode; 3) Call your installing or service technician to check unit.	
E6	Cooling-outdoor coil low temp. protection	Outdoor too cold to run cooling mode, windy, too much refrigerant, short piping, etc.	1) Shut off the unit; 2) Cooling, wait until weather allows the unit to re-start, or switch to alternative cooling equipment which allows lower ambient cooling;	1) Check if these are caused by installation or component failure; 2) There could be nothing abnormal, but the unit is at protection mode, which means the current ambient temperature is not proper to run the unit;
E7	Cooling-Indoor coil anti-freeze protection	Dirty filter/coils, indoor fan motor failure, loose blower wheel/motor connection, too much or less refrigerant, pipe/cap. tube/valve clogging, etc.		
E8	Heating-outdoor coil high temp. protection	Outdoor temperature too warm to run heating mode, too much refrigerant, short piping, etc.	3) Heating, wait until weather allows the unit to re-start, or switch to base-board heater, gas furnace or other alternative heating sources during cold hours/days.	3) If there is something wrong, need to find all the clauses and correct or fix the problems and not to leave any bugs.
E9	Heating-indoor coil anti-to hot protection	Dirty filter/coils, indoor fan motor failure, loose blower wheel/motor connection, too much refrigerant, pipe/cap. tube/valve clogging, etc.		
E0	Heating-outdoor coil too cold protection	Outdoor temperature is too cold to run heat pump/ heating.		

Connecting Indoor and Outdoor Units - Mini Split - Dual Zone -Copper Piping A-A B-B



White-For System B Black-For System A



Warning:
 Since there are two (2) compressors for dual-zone system, with one (1) for each indoor-outdoor system, neither the discharge nor the suction copper line SHALL be crossed.
 All manufacturer warranty will be voided for cross-piping installation. Manufacturer or Distributor(s) WILL NOT be responsible for any direct or indirect damage caused by such prohibited installation.

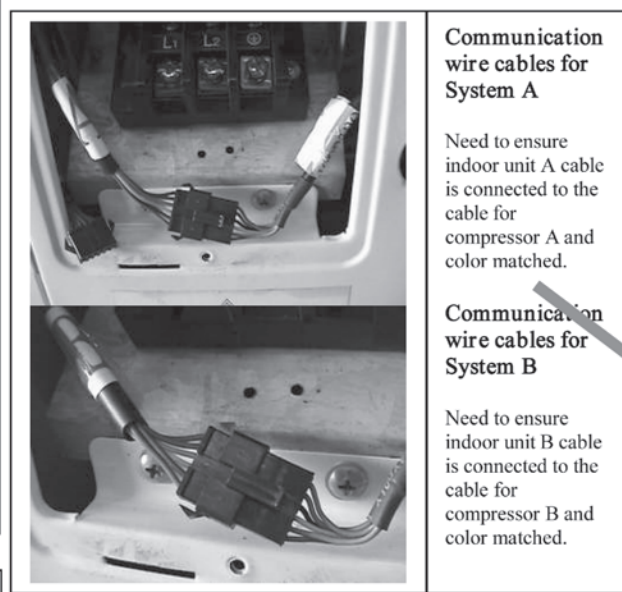
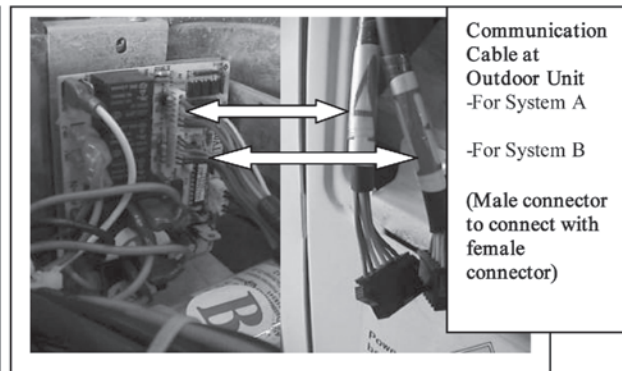
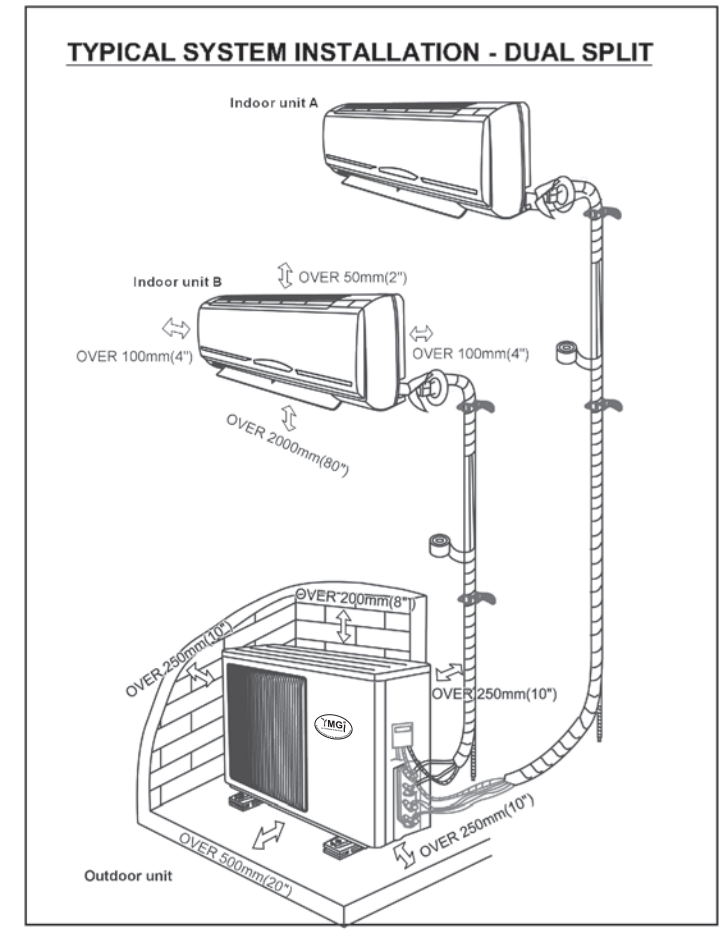
Problem:
 System B discharge line is crossed with system A discharge line

Negative Consequences of Cross-Piping:

1. Two refrigeration circuits are linked into a series. Compression is made to push against each other, when either system A or system B is called for either cooling or heating
2. Will damage compressors;
3. Will burst compressors or coils or copper pipes;
4. Will leak refrigerant;
5. Will cause electrical surge;
6. Will damage the unit;
7. Will cause other consequential damages;
8. Will void manufacturer warranty;
9. The installers MUST take full responsibilities by doing so.

INSTALLER'S INSTRUCTION

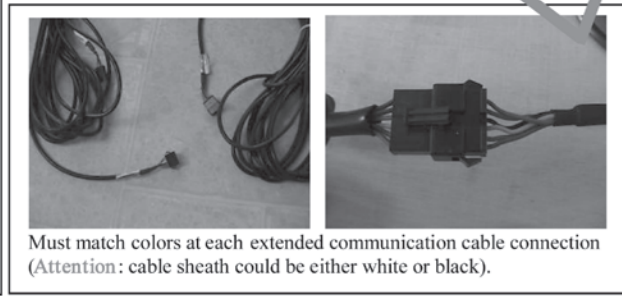
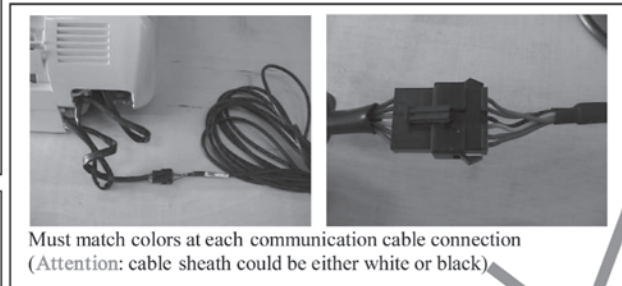
Connecting Indoor and Outdoor Units-Mini Split-Dual Zone-Wiring (A-A B-B)



Warning:
 Since there are two (2) compressors for dual-zone system, with one (1) for each indoor-outdoor system, each circuit has its own refrigerant piping and wiring. Neither piping nor wiring SHALL be crossed.
 All manufacturer warranty will be voided for cross-piping or cross-wiring installation. Manufacturer or Distributor(s) WILL NOT be responsible for any direct or indirect damage caused by such prohibited installation.

- Negative Consequences of Cross-Wiring between Any Two Zones:**
1. The other compressor may work and pump refrigerant into the connected indoor unit, when one indoor unit is called for either cooling or heating.
 2. Will not have any conditioned air blown out of the indoor unit being called for either cooling or heating.
 3. Will freeze (at cooling) or heat up (at heating) the other indoor unit;
 4. Will damage compressors;
 5. Will cause electrical surge;
 6. Will damage the whole unit;
 7. Will cause other consequential damages;
 8. Will void manufacturer warranty;
 9. The installers MUST take full responsibilities by doing so.

Important: If Any Male-Female Connection is Found Not Satisfying Wire Color Matching Principle, Cut off That Pair of Male-Female Connectors and Splice Wires Tight to Color Matching (Apply Tape for Electric Use to Separate and Isolate Each Conductor from Others).



INSTALLER'S INSTRUCTION

WARRANTY AND TECH. SUPPORT

YMGI warrants to the purchaser/owner(s) that YMGI products be free from defects in material and workmanship under the normal use and maintenance, with the standard Limited Product Warranty Policies that comes with the unit or sales package.

YMGI IS NOT RESPONSIBLE FOR

- * Damage or repairs required as a consequence Customer do-it-yourself(DIY) installation and/or any other faulty installation or improper application.
- * Damage or repairs needed as a consequence of any misapplication, abuse, improper servicing, unauthorized alteration, or improper operation.
- * Damage as a result of floods, winds, fires, lightening, accidents, corrosive atmosphere, or other conditions beyond the control of YMGI.
- * Any damages to person or property of whatever kind, direct or indirect, special or consequential, whether resulting from use or loss of use of the product.
- * Failure to start due to voltage conditions, blown fuses, open circuit breakers, or other damages due to the inadequacy or interruption of electrical service.
- * Parts not supplied or designated by YMGI.
- * Products installed outside USA or Canada.
- * Regular equipment maintenance or field service or field inspection.
- * Any problems due to improper cooling and heating load calculation of the room/building the air conditioner/heat pump system is to be installed. Equipment users can get the calculation schedule from your room/building architect or your installation or related service HVAC contractor, who should have knowledge and tools to do these calculation correctly.
- * Any problems due to improper sizing and selecting air conditioner/heat pump system. These equipment sizing and selection work should be conducted by either your room/building architect or your installation or related service HVAC contractor, who should have knowledge and tools to do these calculation correctly, and get your approval, before your purchasing these air conditioner or heat pump equipment.
- * Any problems due to improper installing of the air conditioner/heat pump system. Installation should be conducted by currently licensed HVAC technician, following manufacturer installation instructions, all governing safety codes, with care and professionalism.
- * Any problems due to improper operation of the air conditioner/heat pump system. Users shall keep the manual and look up in the manuals for the correct understanding how the unit will work and how to operate the unit correctly.
- * Any problems due to improper maintenance of the air conditioner/heat pump system. Like a car, regular maintenance or yearly checking is necessary for the unit to work properly for you, before the season comes. For example, air filter shall be checked for cleanliness from time to time. Remote control batteries shall be checked for enough power, before judging the unit is not working...

CONTACT FOR FIELD SERVICE OR REPAIR

The following people, in a prioritized sequence, will take care of your request or issue:

- 1) The original installer; otherwise,
- 2) Your current service contractor; otherwise,
- 3) Authorized contractor in YMGI list that is close to you; otherwise,
- 4) Authorized Distributor in YMGI Distributor list; otherwise,
- 5) Contractor/Distributor you prefer who is close to you.

CONTACT FOR GENERAL TECHNICAL QUESTIONS OR SUPPORT, IN A SEQUENCE:

- 1) The original installer; otherwise,
 - 2) The current service contractor; otherwise,
- The original licensed installer or current service contractor should be contacted first of all, since they installed the unit and/or know more details than anybody else.
- They will check the unit and find out the problems with the professional knowledge about HVAC and electric product installation by using special tools or instrument.
- They can contact YMGI technical support for technical help during unit installation or inspection.
- Product model and serial numbers needed, which can be found on unit nameplate sticker, so that our technician can quickly identify the unit, parts and wiring diagrams, among our many products and models.
- 3) The distributor; where the unit is purchased from otherwise,
 - 4) YMGI Technical Support:
Tel: (866) 833-3138*703 Email: techsp@ymgigroup.com

USER NOTES AND SERVICE LOG

USER NOTES

Put down whatever questions you have or problems you have seen as a unit history:

No.	Date	Questions or Problems	Remarks

SERVICE/MAINTENANCE LOG

Put down whatever questions you have or problems you have seen as a unit history:

No.	Date	Service/Maintenance Conducted	Person/Phone

